

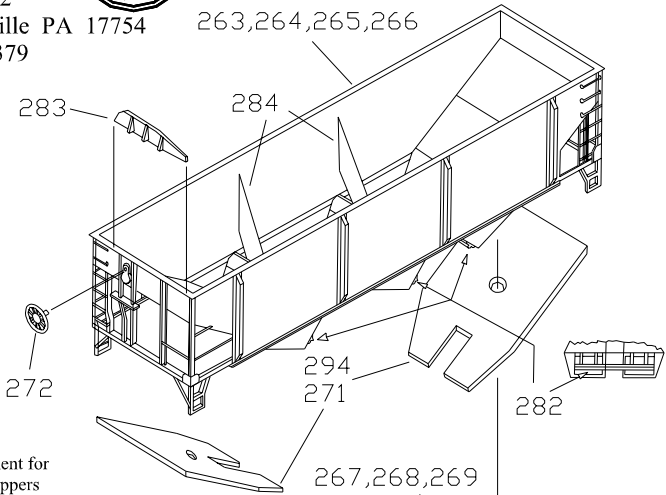


# Stewart Hobbies HO Scale 70 Ton Hopper Car

Revised 11-04

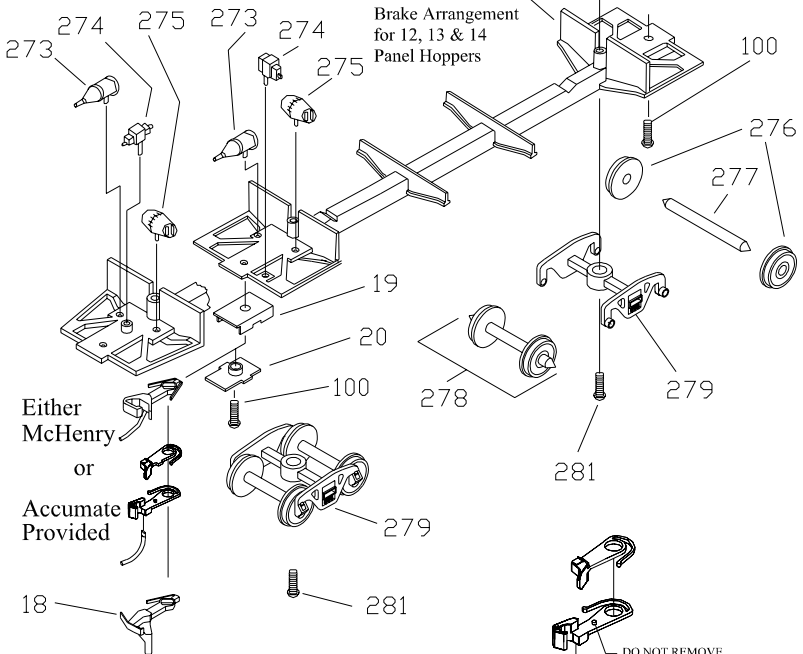
Bowser-Stewart  
PO Box 322  
Montoursville PA 17754  
570-368-2379

263,264,265,266

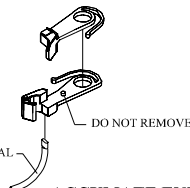


Brake Arrangement for  
Triple Offset Hoppers

Brake Arrangement  
for 12, 13 & 14  
Panel Hoppers



Either  
McHenry  
or  
Accumate  
Provided



**ACCUMATE ENLARGED**