

# G39 & G39B ORE CAR

## Part I

### GENERAL INSTRUCTIONS AND TOOL SUGGESTIONS

Small Phillips Screwdriver  
Knife  
Small Tweezers  
  
cement)

Sprue Cutters or Modeler's  
Liquid Plastic Cement  
Small Paint Brush (to apply

Note: Refer to the exploded view during assembly. The "A" and "B" ends are identified. Remove parts from the sprue carefully, using sprue cutters or modeler's knife.

## Part II

### IDENTIFY "A" AND "B" ENDS

The car is shipped with the interior (PN0367) installed into the body (PN0368). One end of the interior (PN0367) has four holes located near the corner. Both ends of the underframe (PN0369) have four receptacles. See **Figure 1a & 1b**. The interior (PN0367) shall have the four holes and at the "B" end. If necessary, reposition the underframe (PN0369).

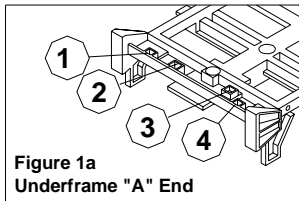


Figure 1a  
Underframe "A" End

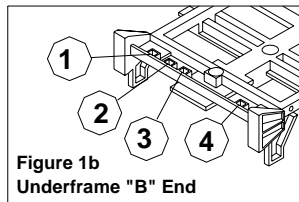
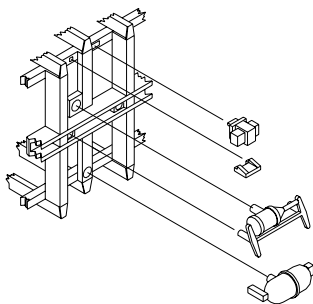


Figure 1b  
Underframe "B" End

## Part III

### UNDERFRAME DETAILING

**Step (1).** With the "B" end to your right, locate the mounting holes for the air reservoir (PN0374), air cylinder (PN0375), AB valve (PN0376), and retaining valve (PN0377). Carefully remove and install each part from the sprue into the appropriate holes according to **Figure 2**. Note that the detail on the AB valve (PN0376) and the retaining valve (PN0377) should face towards the exterior of the car. One end of the air reservoir (PN0374) has a vertical bracket that should face the "A" end of the car. Apply cement sparingly with a small pointed brush.



**Step (2).** Choose either an X2F coupler (PN0018) or Accumate coupler (PN0120), and place it into the coupler box (PN0019). Install the coupler lid (PN0020), and attach the assembly to the underframe (PN0369) using the short screw (PN0100).

**Step (3). G39 ONLY:** Place each wheel set (PN0278) into a Crown truck (PN0378). Place a washer (PN0379) onto the underframe (PN0378) at the truck pivot, and install each assembled truck with the long screw (PN0383).

**Step (4). G39B ONLY:** An appropriate roller bearing truck (PN0279) or friction truck (PN0280) has been provided. Place each wheel set (PN0278) into a truck (PN0279 or PN0280), and install each assembled truck with the long screw (PN0383).

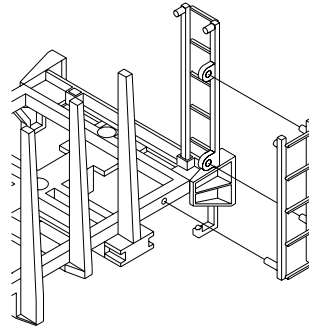
## Part IV

### FINAL ASSEMBLY

**Step (1).** Install the brake wheel (PN0381) into the brake stand (PN0380). Install the bottom of the brake stand (PN0380) into the underframe (PN0369) locations marked "2" and "3" in **Figure 1**. Apply cement. Plug the top of the brake stand (PN0380) into the appropriate holes in the interior (PN0367).

**Step (2).** Locate the ladder marked "D" on the detail parts sprue. This is the tall end ladder (PN0370). Remove the part from the sprue. Place the long leg into the underframe (PN0369) location marked "1" in **Figure 1**. Apply cement. Plug the top of the tall end ladder (PN0370) into the appropriate holes in the interior (PN0367). Repeat this step for the opposite corner.

**Step (3).** Locate the ladder marked "B" on the detail parts sprue. This is the tall side ladder (PN0371). Remove the part from the sprue. Position as shown in **Figure 3**. Apply cement. Repeat this step for opposite corner.



**Step (4).** Locate the ladder marked "A" on the detail parts sprue. This is the short side ladder (PN0373). Locate the ladder marked "C" on the detail parts sprue. This is the short end ladder (PN0372). Remove these parts from the sprue. Install the ladders, positioning the long leg of the short end ladder (PN0372) into the underframe (PN0369) location marked "4" in **Figure 1**. Apply Cement. The support extending from the top of the short end ladder should extend to the face of the rib on the end of the body (PN0368). Repeat this step for opposite corner.

**Step (5).** Position the brake platform (PN0382) into position on the brake stand (PN0380). Note that the holes on the brake platform (PN0382) should face towards the top of the car. Apply cement.

## Part V

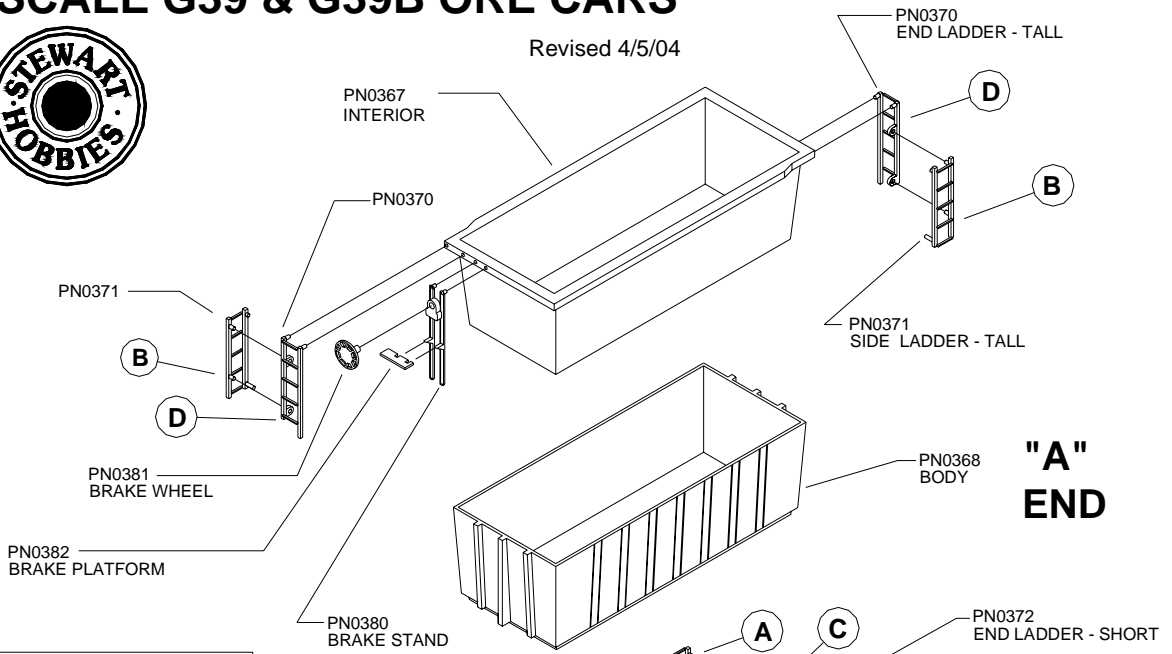
### GENERAL INFORMATION

Paint Match: Scalecoat II #2010 Black or Scalecoat II #2087 Boxcar Red #2

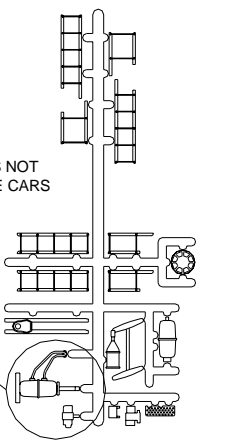
# HO SCALE G39 & G39B ORE CARS



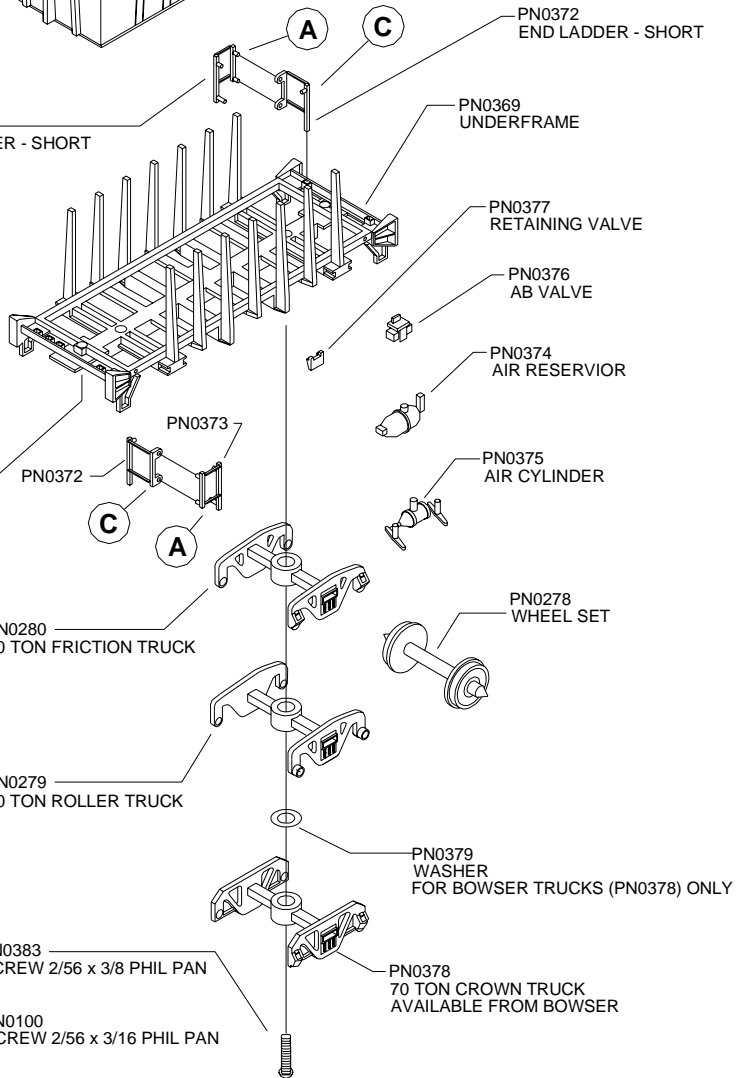
Revised 4/5/04



CIRCLED PARTS NOT USED ON THESE CARS



**"B" END**



# G39A ORE CAR

## Part I

### GENERAL INSTRUCTIONS AND TOOL SUGGESTIONS

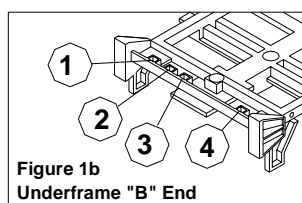
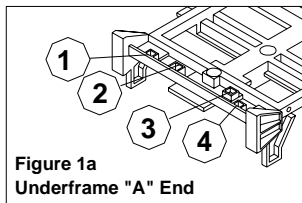
Small Phillips Screwdriver	Sprue Cutters or Modeler's Knife
Small Tweezers	Liquid Plastic Cement
	Small Paint Brush (to apply cement)

Note: Refer to the exploded view during assembly. The "A" and "B" ends are identified. Remove parts from the sprue carefully, using sprue cutters or modeler's knife.

## Part II

### IDENTIFY "A" AND "B" ENDS

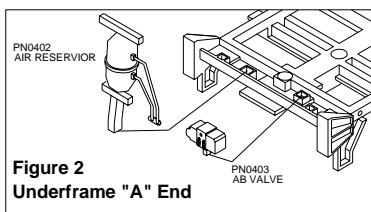
The car is shipped with the interior (PN0367) installed into the body (PN0368). One end of the interior (PN0367) has four holes located near the corner. Both ends of the underframe (PN0369) have four receptacles. See **Figure 1a & 1b**. The interior (PN0367) shall have the four holes and at the "B" end. If necessary, reposition the underframe (PN0369).



## Part III

### UNDERFRAME DETAILING

**Step (1).** With the "B" end to your right, locate the mounting holes for the air reservoir (PN0402) and AB valve (PN0403). Carefully remove and install each part from the sprue into the appropriate holes according to **Figure 2**. Apply cement sparingly with a small pointed brush.



**Step (2).** Place Accumate coupler (PN0120) into the coupler box (PN0019). Install the coupler lid (PN0020), and attach the assembly to the underframe (PN0369) using the short screw (PN0100).

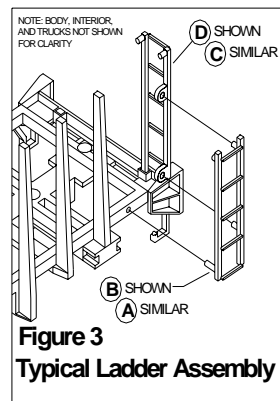
**Step (3).** An appropriate roller bearing truck (PN0279) or friction truck (PN0280) has been provided. Place each wheel set (PN0278) into a truck (PN0279 or PN0280), and install each assembled truck with the long screw (PN0383).

## Part IV FINAL ASSEMBLY

**Step (1).** Install the brake wheel (PN0381) into the brake stand (PN0380). Install the bottom of the brake stand (PN0380) into the underframe (PN0369) locations marked "2" and "3" in **Figure 1b**. Apply cement. Plug the top of the brake stand (PN0380) into the appropriate holes in the interior (PN0367).

**Step (2).** Locate the ladder marked "D" on the detail parts sprue. This is the tall end ladder (PN0370). Remove the part from the sprue. Place the long leg into the underframe (PN0369) location marked "1" in **Figures 1a & 1b**. Apply cement. Plug the top of the tall end ladder (PN0370) into the appropriate holes in the interior (PN0367). Repeat this step for the opposite corner.

**Step (3).** Locate the ladder marked "B" on the detail parts sprue. This is the tall side ladder (PN0371). Remove the part from the sprue. Position as shown in **Figure 3**. Apply cement. Repeat this step for opposite corner.



**Step (4).** Locate the ladder marked "A" on the detail parts sprue. This is the short side ladder (PN0373). Locate the ladder marked "C" on the detail parts sprue. This is the short end ladder (PN0372). Remove these parts from the sprue. Install the ladders, positioning the long leg of the short end ladder (PN0372) into the underframe (PN0369) location marked "4" in **Figure 1**. Apply Cement. The support extending from the top of the short end ladder should extend to the face of the rib on the end of the body (PN0368). Repeat this step for opposite corner.

**Step (5).** Position the brake platform (PN0382) into position on the brake stand (PN0380). Note that the holes on the brake platform (PN0382) should face towards the top of the car. Apply cement.

## Part V GENERAL INFORMATION

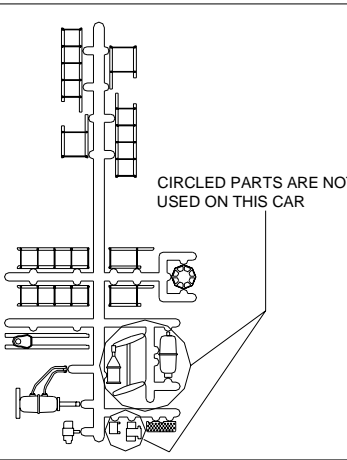
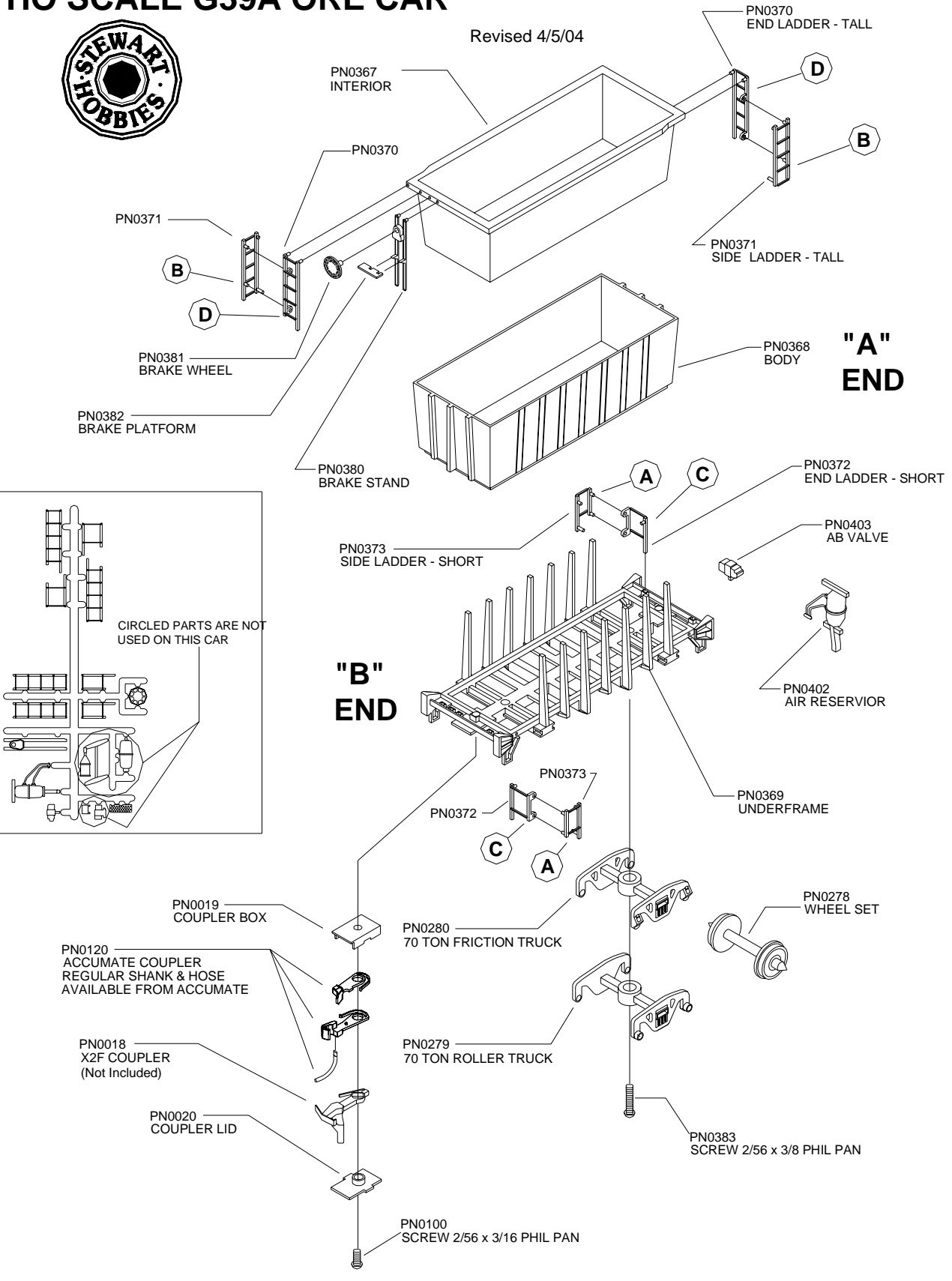
Paint Match: Scalecoat II #2010 Black or Scalecoat II #2087 Boxcar Red #2

We hope that you will be happy with this finely detailed kit. If any questions or problems occur, please contact us. Any problems with defective parts will be responded to promptly. For purchases of additional parts, please use the order form printed below.

# HO SCALE G39A ORE CAR



Revised 4/5/04



**"A" END**

**"B" END**