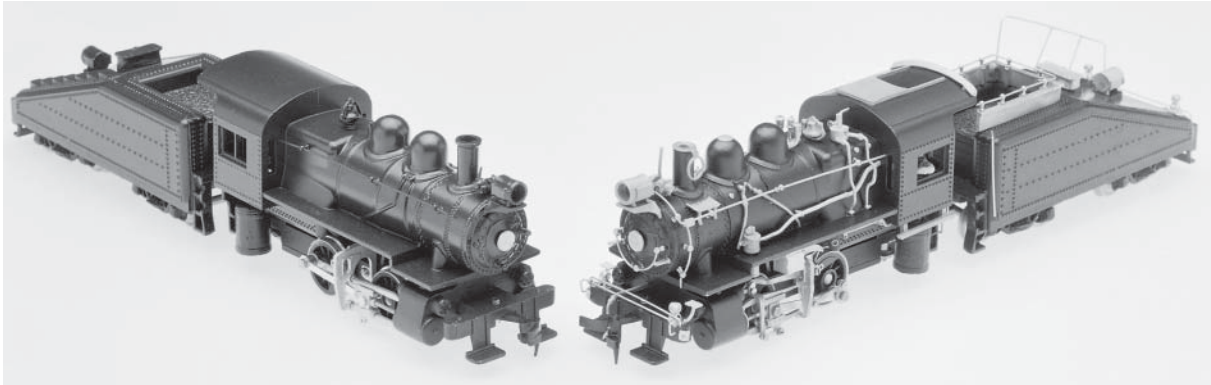
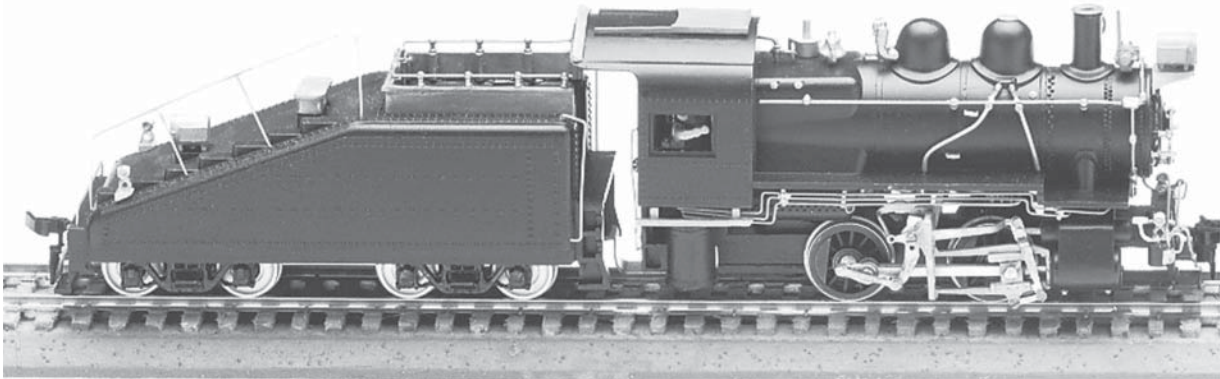
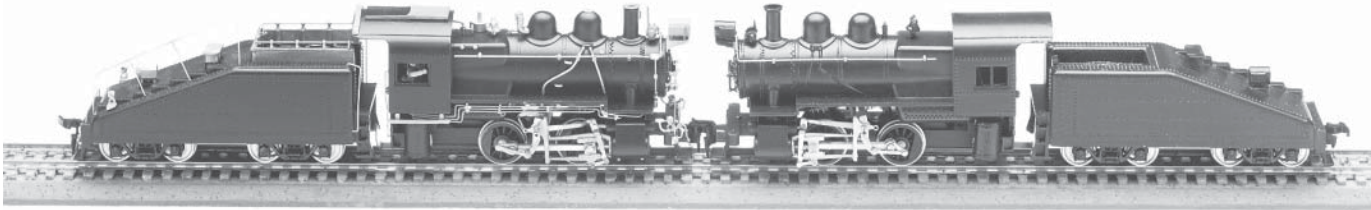
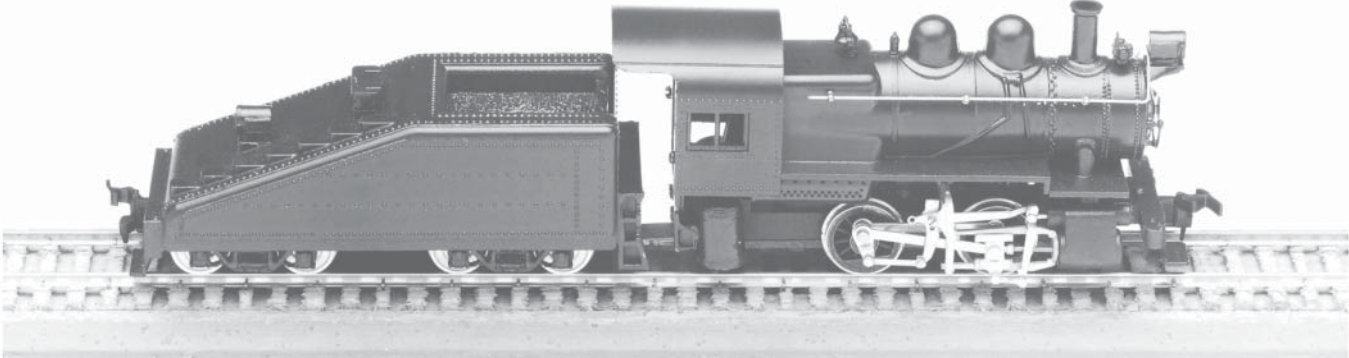
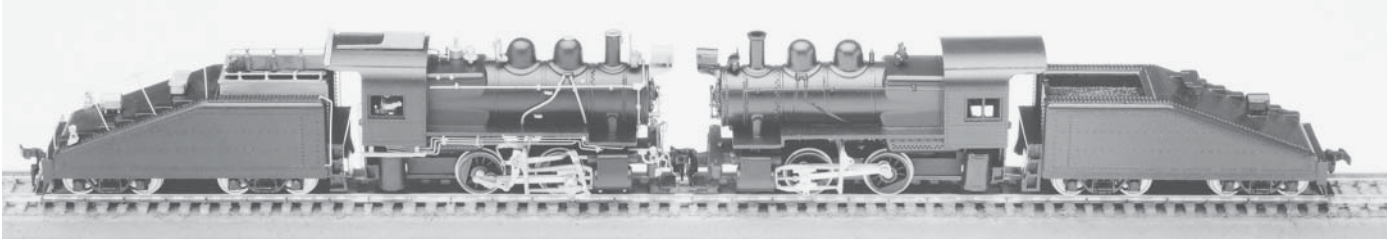


PRR A-5 SHIFTER 0-4-0



PRR A-5 SHIFTER 0-4-0

MOTOR WORM GEARS

WORM	70229
AXLE GEAR	551-23236
AXLE SPACING	.921
GEAR RATIO	23-1

Old style A-5 with DC-77 motor Parts are available

Pilot Coupler

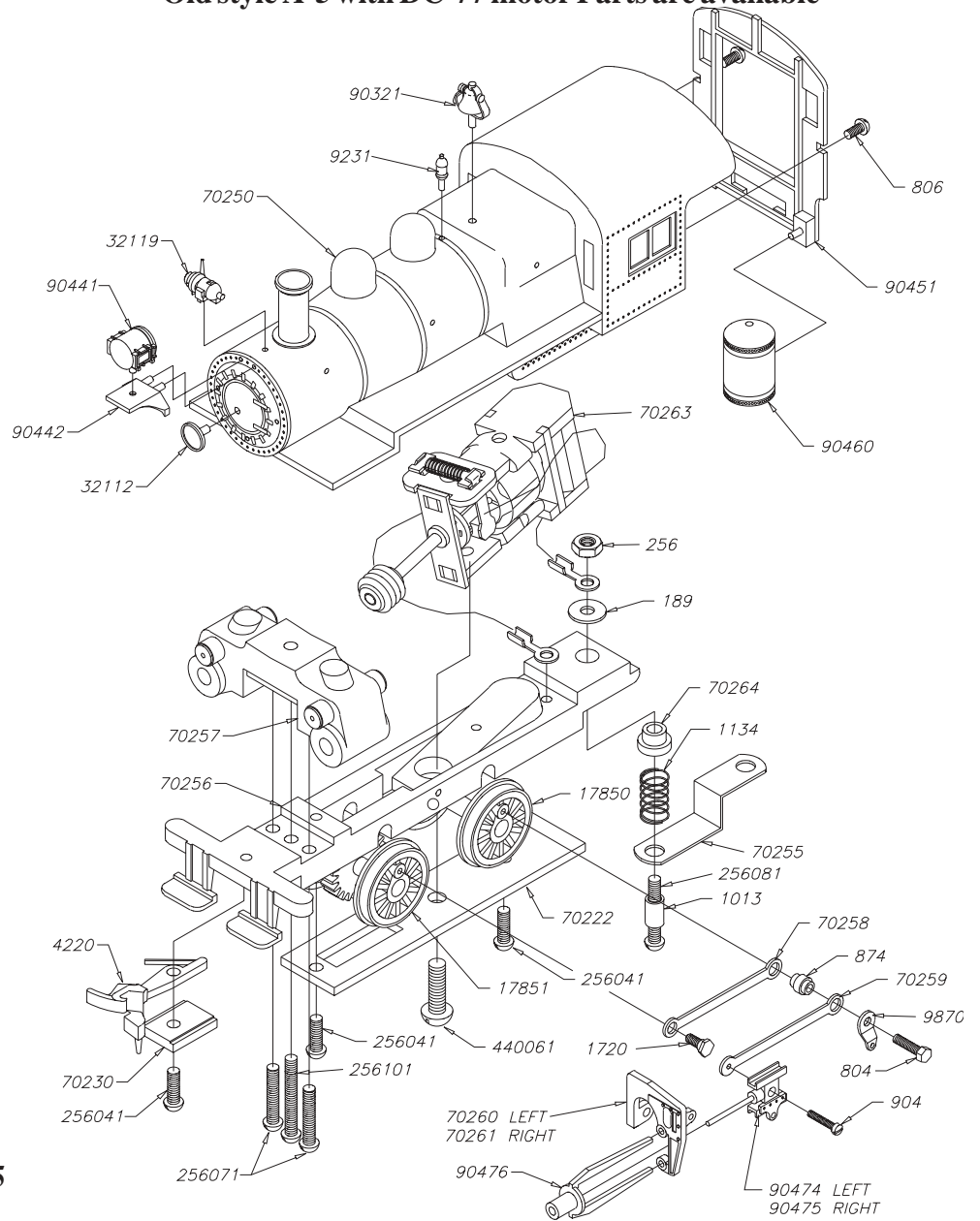
Use KD ® #5 coupler, spring and cover. Place spring in cast on pocket. Put coupler in spring and fasten cover in place with a 256 screw.

Use KD ® #5 on tender.

Our Side Rods will not fit the HOBBYLINE A-5 you can use our drawbar #2570 to connect your Hobbyline loco and tender To use Bowser underframe #70256, cut away sides to accept the DC-60 motor and locate new mounting hole for motor.

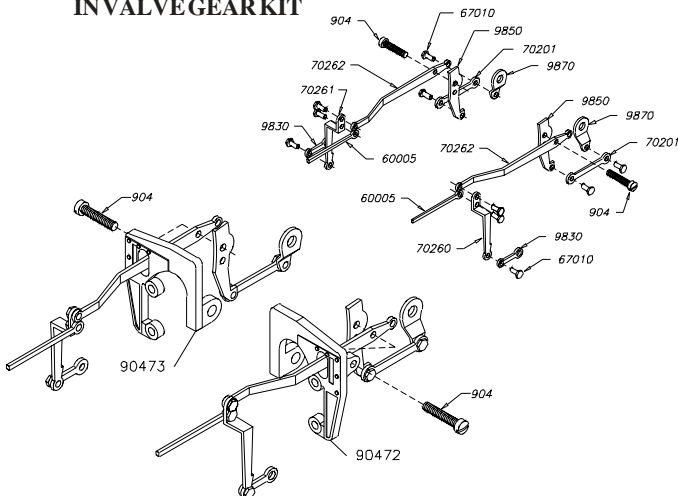
Parts needed to convert DC-77 drive to the new can motor drive:

- #70297 Underframe
- #70298 Coverplate
- #100577 Motor parts bag



VALVE GEAR KIT #100575

CROSSHEADS NOT INCLUDED
IN VALVE GEAR KIT



PRR A-5 SHIFTER 0-4-0

SUPER DETAIL KIT #100580

