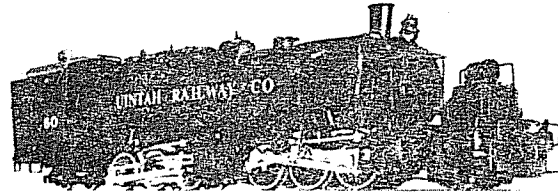


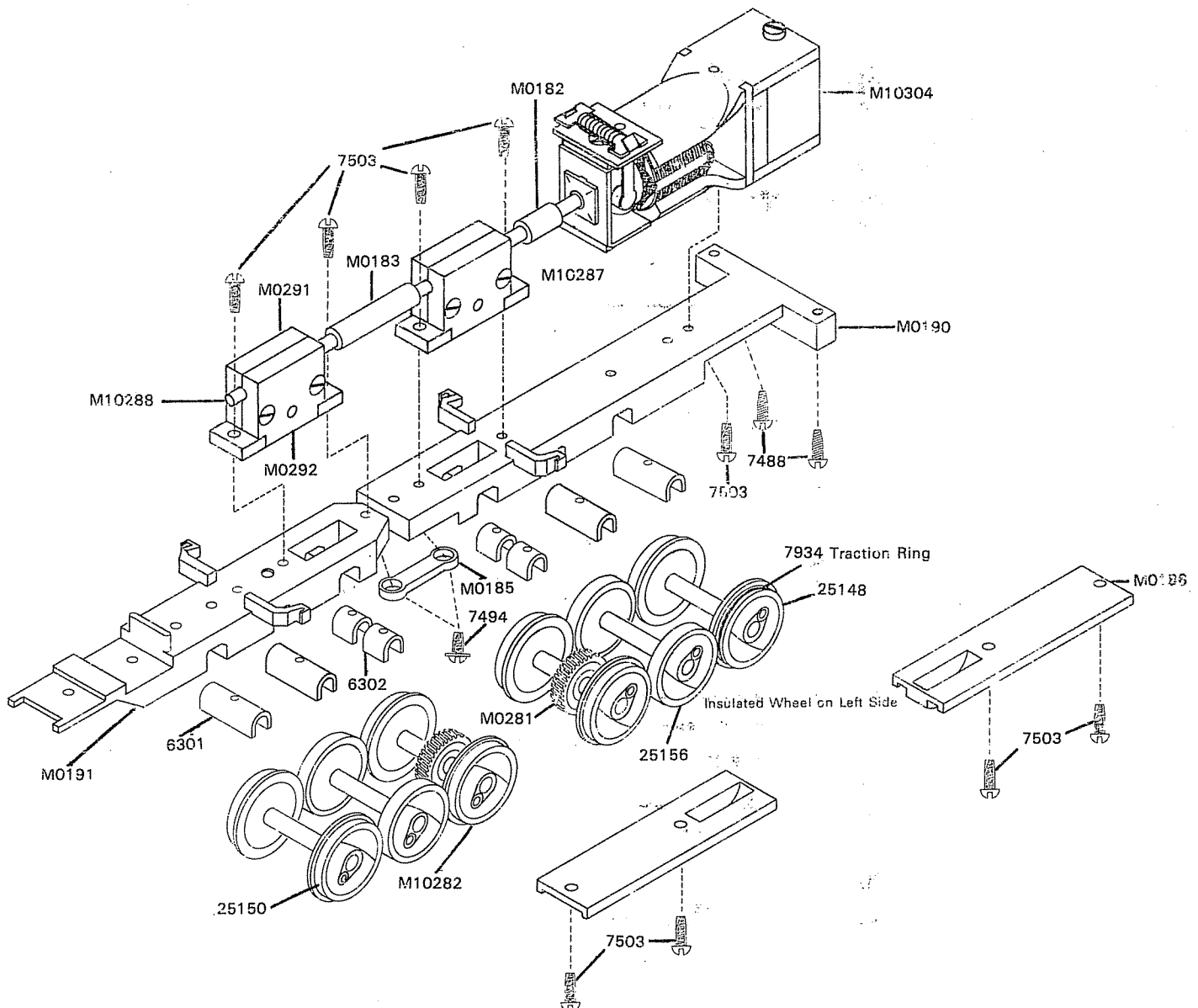
MANITUA



2-6-6-2T LOGGER

MECHANISM ASSEMBLY

1. Check all parts with replacement parts list. Study the drawings to identify parts. Read instructions through before starting and **BE SURE** you understand how each part is to be mounted and avoid disappointing errors. Smooth edges of all cast metal parts with a knife or fine file to remove all flash and burrs. Use sharp knife for plastic parts.
2. Assemble two #6301 long axle bearings and two #6302 short axle bearings in #M0191 front frame making certain they are located on the pins and are properly seated in the bearing slots.
3. Place #25150 Fig. driving wheels in front slot and #25156 blind driving wheels in center slot and #M10282 Fig. driving wheels w/gear in rear slot. **ALL INSULATED WHEELS** on front frame are on left side.
4. Place #M0186 retainer plate in position and secure with two #7503 screws, #2-56 x 1/4" S.T.R.H.



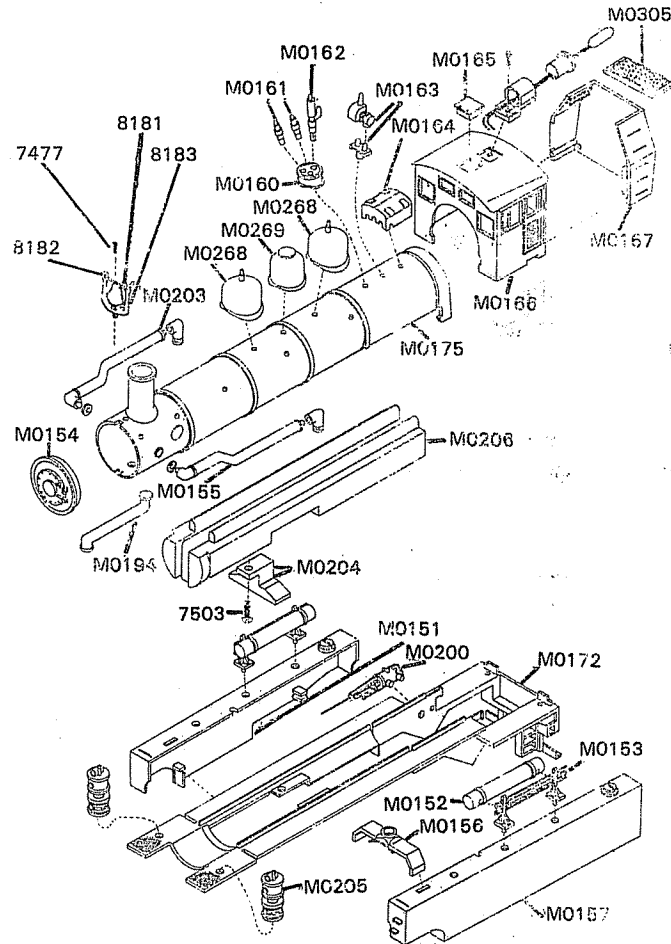
#M0187 lead truck frame and one set in #M0184 Trailing truck frame. Slide #3962 brass retainers forward through retaining slots until plate snaps into position in each truck.

20. Insert #7008 conical spring in cavities of each frame and place lead and trailing trucks over spring and boss. Fasten with #7494, 2-56 x 3/16" W.H.S.T. screws as shown. Assemble #2603 coupler pocket, #2601 coupler to cavity in rear frame with #7477 screw #2 x 7/32" S.T.

BOILER ASSEMBLY

1. Insert the tabs on front of #M0172 lower boiler under front of #M0175 upper boiler and carefully hook tabs at back end of both pieces.
2. Slide #M0206 weight into boiler from rear. Use #7152 screw, 2-56 x 3/16" S.T. to secure weight to boiler at the front.
3. Suspension support #M0204 is fastened to boiler weight with a #7503 screw, 2-56 x 1/4" S.T.
4. Press #M0157 long water tank on running board on left side of boiler matching up slots on tank with running board. Using #M0151 short water tank, repeat process for right side.
5. #M0155 steam pipe is assembled as shown on left side of boiler and #M0203 steam pipe is assembled on right side of boiler.

6. #M0156 water tank crossbar and filler is placed over boiler and steam pipes and snapped into slots on top of tanks.
7. #M0152 air tanks and #M0153 cooling coils are assembled and pressed into holes on top of water tanks. Do this for each side. A drop of cement may be used for assembly of parts that will not be taken apart for servicing the locomotive.
8. Press two #M0161 pop valves and one #M0162 whistle into #M0160 whistle base. Press assembly into boiler at location shown.
9. Press two parts of #M0163 generator together and install generator on boiler as shown, also fit #M0164 Turret on boiler directly in front of cab.
10. Place two #M0268 domes and one #M0269 dome in boiler as shown.
11. Fasten one #M0205 compressor in holes of running board and boiler smokebox on each side of boiler. Power Reverse #M0200 fits on right side of lower boiler under rear end of tank.
12. Assemble #8183 bell bracket and #8181 bell and #8182 bell crank. Mount bell & bracket in front of stack on smoke box with #7477 screw, #2 x 7/32" S.T.



WIRING

The equal lengths of black and white wire are threaded through the length of boiler and connected to motor, frame, lights, and diode as shown. After wiring #M0166 cab is set in groove on rear end of boiler.

13. Assembled boiler is placed on top of mechanism (making sure lower steam pipe is inserted into slot at bottom of smoke box) and fastened with two #7503 2-56 x 1/4" S.T. screws through rear cylinder and into boiler weight. Two #7488 screws #2 x 1/4" S.T. secure frame to lower boiler at rear.

14. Carefully put wires into front of boiler and snap #M0154 boiler front in place. Wires in back end are folded into cab. #M0167 coal hopper and coal pile #M0305 are assembled and snapped into position on rear of cab.

NO. IN KIT	DESCRIPTION	PART NO.	UNIT PRICE
MECHANISM			
1	Frame, Front	M0191	
1	Frame, Rear	M0190	
4	Bearing, Long	6301	
4	Bearing, Short	6302	
2	Retainer Plate	M0186	
18	Screw, #2-56 x 1/4" S.T.R.H.	7503	
1	Wheel and Axle, 50" Flg.	25150	
2	Wheel, Axle and Gear, 50" Flg.	M10282	
2	Wheel and Axle, 50" Blind	25156	
8	Side Rod	6828	
2	Crosshead and Piston Rod R.H.	8471	
4	Screw, Short Side Rod	7159	
4	Screw, Intermediate Side Rod	7161	
4	Shouldered Bushing	6390	
2	Crosshead and Piston Rod. L.H.	8470	
4	Hex Head Side Rod Screw	7165	
4	Main Rod	7096	
1	Cylinder, Front	M0192	
1	Cylinder, Rear	M0193	
1	Truck Frame, Lead	M0187	
1	Truck Frame, Trailing	M0184	
2	Wheel and Axle Assem. 30" Ins.	25151	
2	Retainer	3962	
2	Spring, Conical	7008	
6	Screw, #s-56 x 3/16" W.H.S.T.	7434	
1	Drawbar	M0185	
1	Pilot	M0202	
3	Screw, 2 x 1/4" S.T.	7458	
2	Handrail, Pilot	M0188	
2	Handrail Post	M0189	
1	Handrail, Pilot Beam	M0028	
4	Handrail Post, Pilot Beam	M0030	
5	Screw, 0 x 7/32" S.T.	7477	
2	Light Housing	M0168	
2	Bulb Holder	M0018	
2	Bulb and Lead Wire	M0028	
2	Coupler	2601	
1	Coupler Pocket	2603	
1	Steam Pipe	M0194	
1	Boiler Support Holder	M0195	
1	Boiler Support Pin	M0196	
1	Boiler Support Spring	M0197	
1	Suspension Support	M0204	
1	Insulator	M0302	
1	Worm, Shaft Assembly	M10287	
2	Self Centering Bearings	M0293	
2	Idler Gear	M0289	
2	Idler Gear Shaft	M0290	
8	Washers	7556	
2	Gear Box Half, Large	M0291	
2	Gear Box Half, Small	M0292	
1	Worm, Shaft Assembly	M10288	
1	MG-81 Motor	M10304	
2	Flexible Coupling	M0183	
1	Wheel & Axle, 50" Flg. w/Traction	25148	
1	Wrench, 0-80	5511	
6	Rivet, Long	8355	

NO. IN KIT	DESCRIPTION	PART NO.	UNIT PRICE EACH
BOILER			
1	Boiler, Upper	M0175	
1	Boiler, Lower	M0172	
1	Boiler Front	M0154	
1	Water Tank, Left Side	M0157	
1	Water Tank, Right Side	M0151	
1	Bell Bracket	8183	
1	Bell Crank	8182	
1	Bell	8181	
1	Crossbar and Filler	M0156	
2	Dome, Steam	M0268	
1	Dome, Sand	M0269	
1	Whistle Base	M0160	
2	Pop Valve	M0161	
1	Whistle	M0162	
1	Generator	M0163	
1	Turret	M0164	
1	Cab	M0166	
1	Hatch, Cab	M0165	
1	Coal Hopper	M0167	
1	Steam Pipe L.H.	M0155	
1	Steam Pipe R.H.	M0203	
2	Steam Pipe Flange	M0303	
2	Cooling Coil	M0153	
2	Air Tank	M0152	
5	Insulating Tubing	7811	
1	Diode	M0300	
2	Lead Wire	M0301	
1	Reverse Power	M0200	
2	Compressor	M0205	
1	Weight	M0206	
1	Screw, 2-56 x 3/16" S.T.	7152	
1	Coal Pile	M0305	

REPLACEMENT PARTS

See your Hobby Dealer. If he cannot supply them you may order from the factory. Please send check or money order for parts required, plus \$1.00 for postage and handling.

DEFECTIVE PARTS

RETURN PARTS ONLY - NOT COMPLETE MODEL. Any defective part will be replaced at no charge. If complete or partially completed model is returned only the defective part will be replaced, not installed.

Please enclose check or money order for \$1.00 to cover the cost of postage and handling.

MANTUA FULL ONE YEAR WARRANTY

All Mantua Products are thoroughly inspected and tested prior to shipment and are guaranteed to operate satisfactorily and be free from factory defects. If within one (1) year from the date of purchase this product fails due to defect in material or workmanship Mantua will repair or replace it free of charge. This guarantee does not apply to (a) electric bulbs; (b) damage caused by accident, abuse or mishandling, dropping and (c) units which have been subjected to unauthorized repair. To prevent damage in transit please pack securely and return to: Mantua Service, Grandview Avenue, Woodbury Heights, N. J. 08097.

8.00