

# CONSOLIDATION 2-8-0

WITH THE NEW

## VANDERBILT TENDER

### Mantua



**SUPER DETAILED**

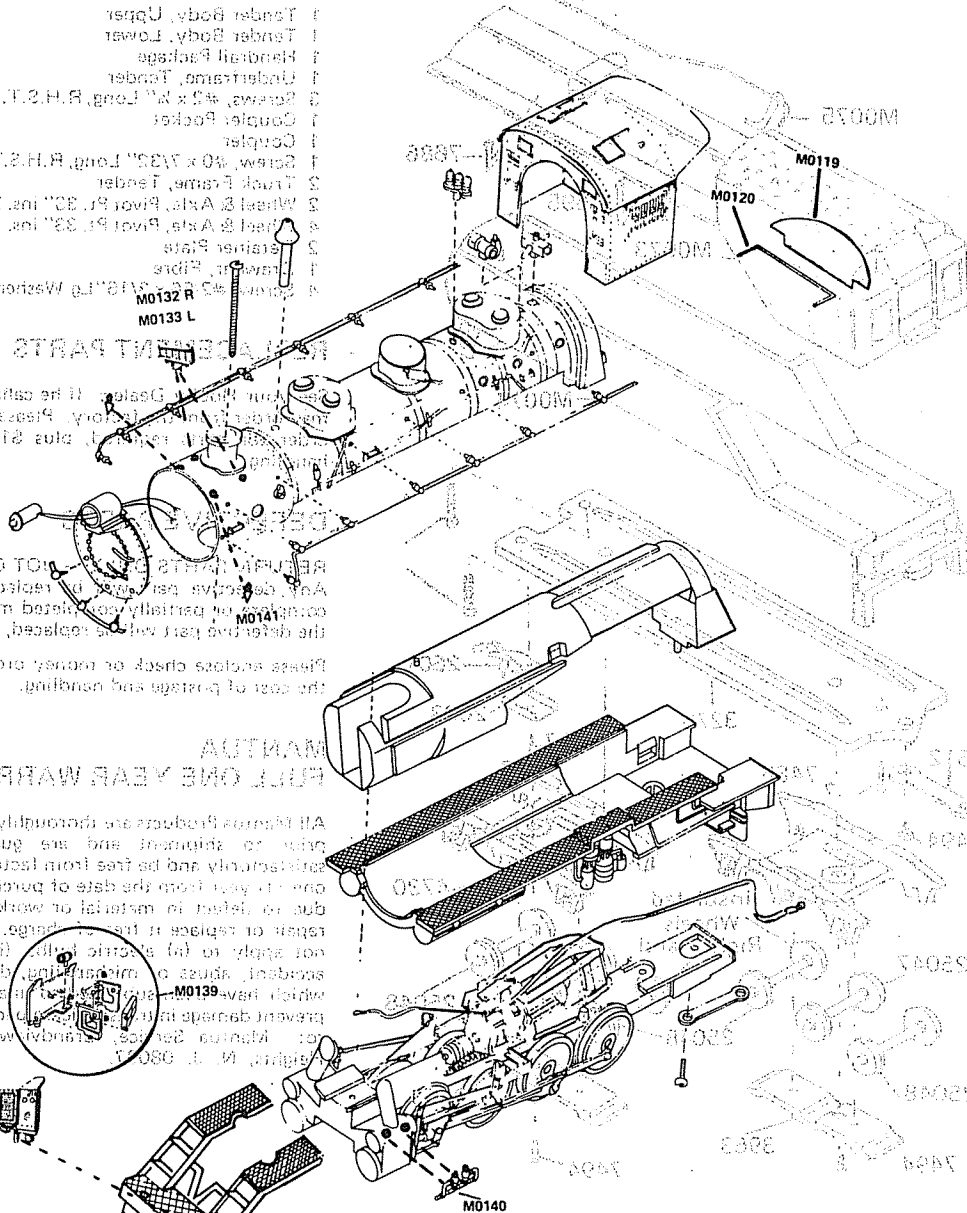
Check all parts with replacement...  
 Assemble the 1/32" underframe...  
 Use 1/32" x 3/8" x 1/2" pins...  
 Use 1/32" x 3/8" x 1/2" pins...  
 Use 1/32" x 3/8" x 1/2" pins...  
 Use 1/32" x 3/8" x 1/2" pins...

### DETAIL ASSEMBLY

1. Assemble all the parts in the front shield kit. Refer to drawing in circle for proper arrangement. Use a good glue for this assembly and also for attachment of parts to locomotive.
2. Secure all super-detail parts to locomotive in places designated on drawing and located by holes in boiler and frame.
3. Push rear deck support wire into holes in rear of cab and bend over tight. Wrap tab of deck around wire to form hinge.

No. in Kit	DESCRIPTION	Part No.
1	Number Board, L.H.	M0133
1	Number Board, R.H.	M0132
1	Front Shield Kit	M0139
4	Cylinder Cocks	M0140
2	Marker Lights	M0141
1	Deck, Rear	M0119
1	Wire Support, Deck	M0120

No.	DESCRIPTION	Kit
1	Tender Body, Upper	M0073
1	Tender Body, Lower	M0074
1	Handrail Package	M0102
1	Underframe, Tender	M0103
1	Pin, 1/32" x 3/8" x 1/2" Long, R.H. & L.	M0104
1	Coupler Pocket	M0105
1	Coupler	M0106
1	Pin, 1/32" x 3/8" x 1/2" Long, R.H. & L.	M0107
1	Pin, 1/32" x 3/8" x 1/2" Long, R.H. & L.	M0108
1	Pin, 1/32" x 3/8" x 1/2" Long, R.H. & L.	M0109
1	Pin, 1/32" x 3/8" x 1/2" Long, R.H. & L.	M0110
1	Pin, 1/32" x 3/8" x 1/2" Long, R.H. & L.	M0111
1	Pin, 1/32" x 3/8" x 1/2" Long, R.H. & L.	M0112
1	Pin, 1/32" x 3/8" x 1/2" Long, R.H. & L.	M0113
1	Pin, 1/32" x 3/8" x 1/2" Long, R.H. & L.	M0114
1	Pin, 1/32" x 3/8" x 1/2" Long, R.H. & L.	M0115
1	Pin, 1/32" x 3/8" x 1/2" Long, R.H. & L.	M0116
1	Pin, 1/32" x 3/8" x 1/2" Long, R.H. & L.	M0117
1	Pin, 1/32" x 3/8" x 1/2" Long, R.H. & L.	M0118
1	Pin, 1/32" x 3/8" x 1/2" Long, R.H. & L.	M0119
1	Pin, 1/32" x 3/8" x 1/2" Long, R.H. & L.	M0120



NOT COMPLETE MODEL...  
 If the cabinet supply them you...  
 Please check of money order for \$1.00 to cover...  
 the cost of postage and handling.

### MANTUA FULL ONE YEAR WARRANTY

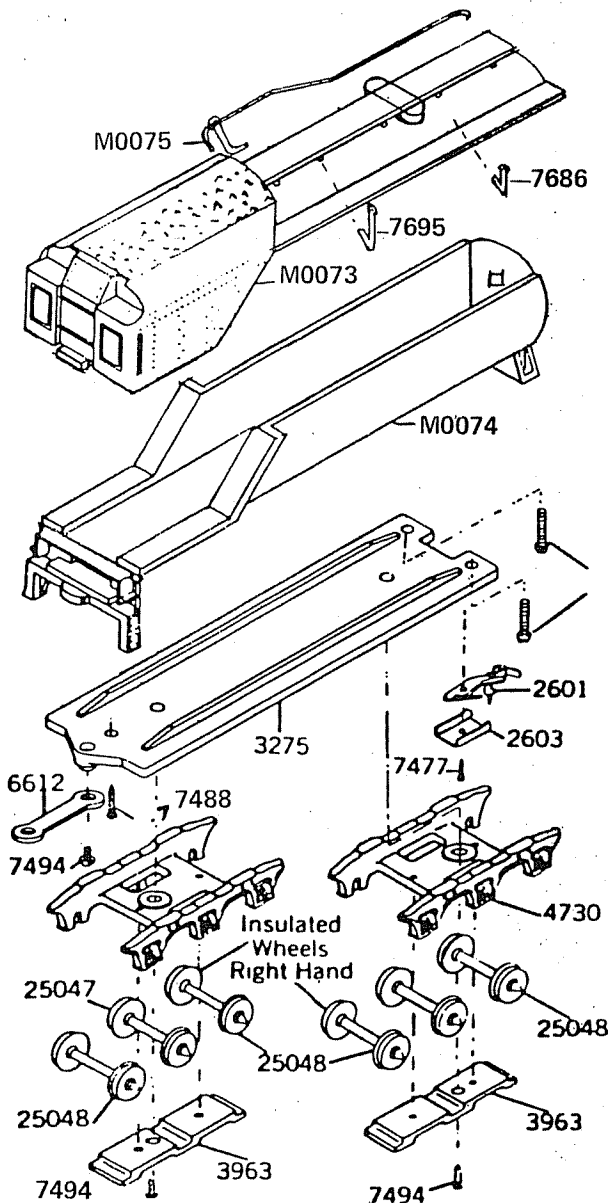
All Mantua products are thoroughly inspected and tested...  
 and are guaranteed to operate...  
 satisfactorily and be free from factory defects. If within...  
 one year from the date of purchase this product fails...  
 due to defect in material or workmanship Mantua will...  
 repair or replace it free of charge. This guarantee does...  
 not apply to (a) damage caused by...  
 accident, abuse, misapplication, or (b) parts...  
 which have been altered or replaced by unauthorized repair...  
 work. Damage in transit will be securely and return...  
 at Mantua 2817 Broadway Avenue, Woodbury...  
 New Jersey 08097.

# MANTUA

## VANDERBILT TENDER ASSEMBLY

1. Check all parts with replacement list
2. Snap upper half of body onto lower half by inserting lugs in slots. Insert front lug first.
3. Assemble No.3275 underframe to body with three No.7488 screws, No.2-56 x 1/4" S.T. Insert No.7477 screw No.0 x 7/32 lg, into hole in No.2601 coupler and pocket No.2603 as shown. Fasten to No.M0074 body, be sure tabs on coupler pocket are fitted into openings provided in body.
4. Insert one pair of No.25048 wheels and axle, insulated on one side, in each end of the two No.4730 tender truck frames, making certain the insulated wheels are placed on the right side as the truck stands on the rail. (See drawing) Insert one pair of No.25047 wheels and axle, insulated on two sides, in the center. Place No.3963 retainer plate on trucks, line up small holes

5. to fit pins on truck. Place truck on something solid and peen over pins to hold retainer in place. Wheels must rotate freely. Using No.7494 screws, No.2-56 x 3/16" S.T.W.H. install trucks on frame in the holes provided, with long ends of truck frame toward center.
6. Put handrail posts (2) No.7695 and (3) No.7686 on each handrail No.M0075 and press posts into holes under running board as shown. Be sure front of handrail wires are inserted in holes provided in top of coal pile.
7. Slip end of No.6612 drawbar over boss at front end of frame and screw in place with No.7494 screw, No.2-56 x 3/16" St. W.H.



No. in Kit	DESCRIPTION	Part No.
1	Tender Body, Upper	M0073
1	Tender Body, Lower	M0074
1	Handrail Package	M0108
1	Underframe, Tender	3275
3	Screws, #2 x 1/4" Long, R.H.S.T.	7488
1	Coupler Pocket	2603
1	Coupler	2601
1	Screw, #0 x 7/32" Long, R.H.S.T.	7477
2	Truck Frame, Tender	4730
2	Wheel & Axle, Pivot Pt. 33" ins. 2 sides	25047
4	Wheel & Axle, Pivot Pt. 33" ins. 1 side	25048
2	Retainer Plate	3963
1	Drawbar, Fibre	6612
4	Screw, #2-56 x 3/16" Lg. Washer H.D.S.T. 7494	7494

## REPLACEMENT PARTS

See your Hobby Dealer: If he cannot supply them you may order from the factory. Please send check or money order for parts required, plus \$1.00 for postage and handling.

## DEFECTIVE PARTS

RETURN PARTS ONLY - NOT COMPLETE MODEL. Any defective part will be replaced at no charge. If complete or partially completed model is returned only the defective part will be replaced, not installed.

Please enclose check or money order for \$1.00 to cover the cost of postage and handling.

## MANTUA FULL ONE YEAR WARRANTY

All Mantua Products are thoroughly inspected and tested prior to shipment and are guaranteed to operate satisfactorily and be free from factory defects. If within one (1) year from the date of purchase this product fails due to defect in material or workmanship Mantua will repair or replace it free of charge. This guarantee does not apply to (a) electric bulbs, (b) damage caused by accident, abuse or mishandling, dropping and (c) units which have been subjected to unauthorized repair. To prevent damage in transit please pack securely and return to: Mantua Service, Grandview Avenue, Woodbury Heights, N. J. 08097.