

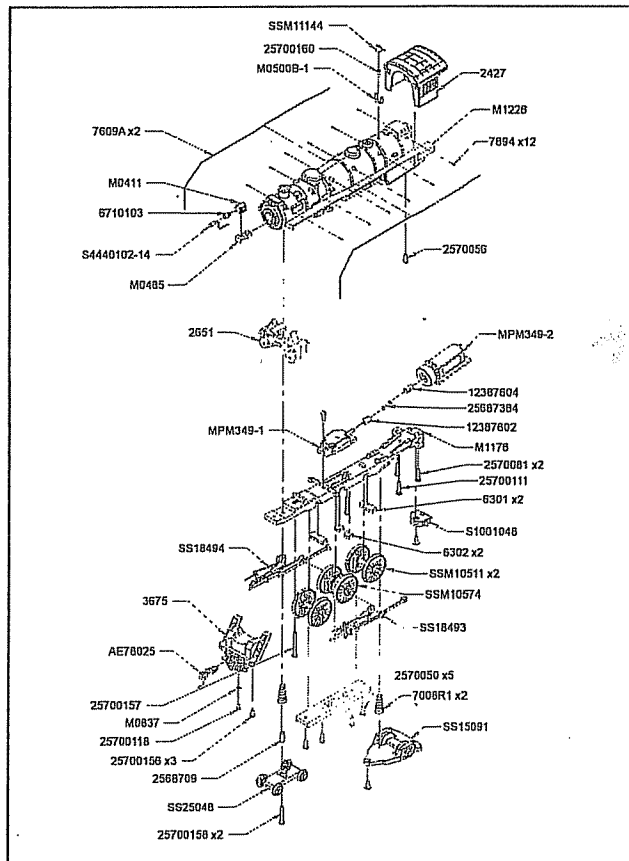
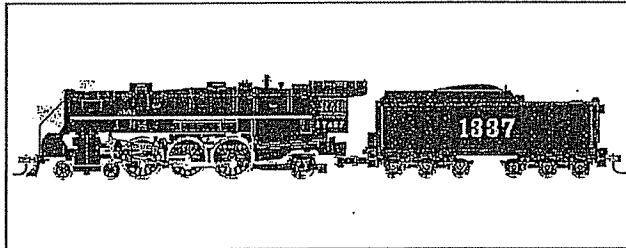
349 Series Locomotive

IN USA - FARMINGDALE, N.Y. 11735



4-6-2 PACIFIC W/ LONG HAUL TENDER

PART NO.	DESCRIPTION
12387602	BALL SHAFT CONNECTOR (A)
12387604	BALL SHAFT CONNECTOR (C)
2427	CAB
2568709	BRASS TUBE
25687384	BALL SHAFT
25700118	SCREW
25700111	SCREW
25700156 x3	SCREW
25700157	SCREW <sup>P</sup>
25700158 x2	SCREW
25700160	SCREW
2570050 x5	SCREW
2570056	SCREW
2570081 x2	SCREW
2651	CYLINDER
3675	PILOT STEP ASSEMBLY
6301 x 2	BEARING AXLE LONG
6302 x 2	BEARING AXLE SHORT
6710103	HEAT SHRINKABLE TUBE
7008R1 x2	SPRING
7694 x12	HANDRAIL POST
AE78025	CENTER SHANK W/SPRING
M0485	LIGHT HOLDER
M0500B-1	BRACKET BELL
M0411	DCC DRAWBAR CONNETION
M0837	REDUCT PLATE
M1176	MAIN FRAME
M1226	BOILER
M7609A x 2	HANDRAIL
MPM-349-1	GEAR BOX ASSEMBLY
MPM-349-2	MOTOR ASSEMBLY
S1001048	DCC DRAWBAR CONNETION
S4440102-14	BULD W/WIRE ASSEMBLY
SS15091	WHEEL & SHAFT
SS18493	VALVE GEAR-LH
SS18494	VALVE GEAR-RH
SSM11144	BELL & HANGER ASSEMBLY
SS25048	33" WHEEL & AXLE ASSEMBLY
SSM10511 x2	WHEEL & AXLE
SSM10574	WHEEL & AXLE



LUBRICATION

For efficient economical operation, proper lubrication is important. To lubricate axles and gears, remove the cover of the underframe by taking out the screws(#2570050). For lubrication use Model Power gear oil #5305.

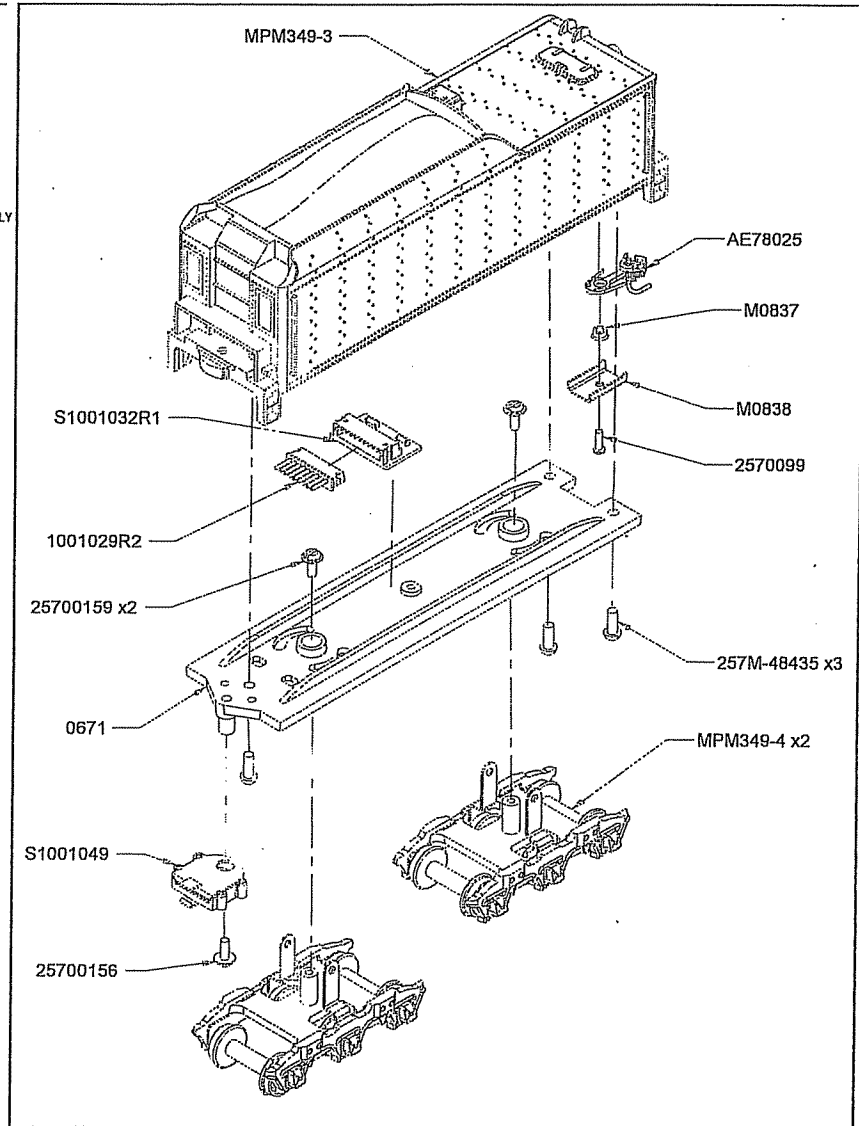
Lubricate your locomotive once a week for heavy usage, once a month for moderate usage, and prior to usage for light usage.

349/12/22  
3330450



# MANTUA Classics

PART NO.	DESCRIPTION
0671	TENDER FRAME
1001029R2	DCC WIRE HARNESS
25700156	SCREW
25700159 x2	SCREW
2570099	SCREW
257M-48435 x3	SCREW
AE78025	CENTER SHANK W/SPRING
M0837	REDUCTION RING
M0838	COUPLER POCKET
MPM-349-4	TRUCK ASSEMBLY
MPM-349-3	TENDER BODY W/LIGHT ASSEMBLY
S1001032R1	DCC DECODER PLUG
S1001049	DCC DRAWBAR CONNECTION



ELECTRICAL DATA  
 Maxium Absorption - 0.30 Ampere  
 Maxium Voltage - 12V (DC)

PRINTED IN HONG KONG

349/12/22  
 3330451

