

PACIFIC 4-6-2

WITH THE NEW

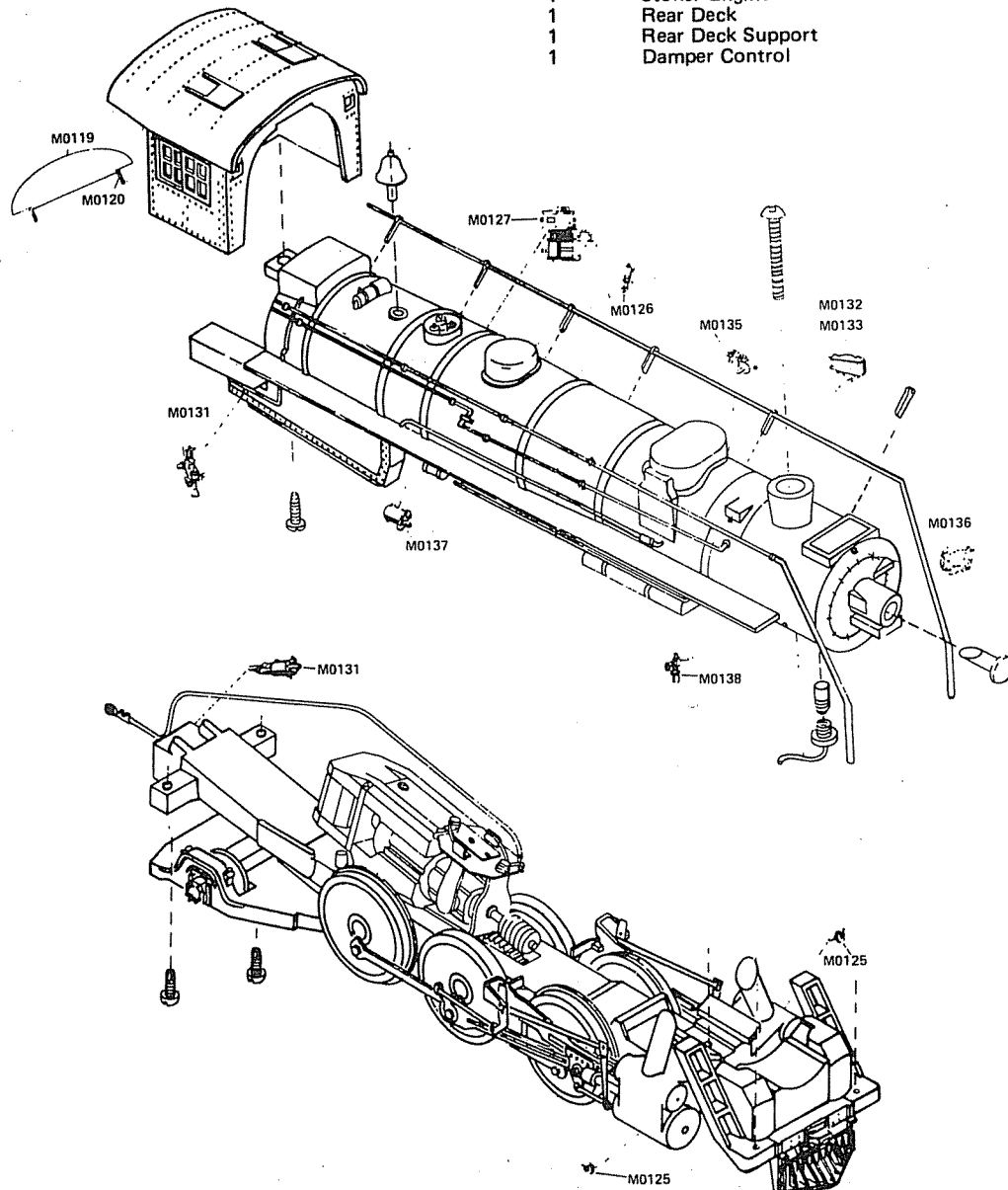
VANDEBILT TENDER

Mantua
MARK
II
SUPER DETAILED

DETAIL ASSEMBLY

1. Secure all super-detail parts to locomotive in places designated on drawing and located by holes in boiler and frame. Use a good glue.
2. Push rear deck support wire into holes in rear of cab and bend over tight. Wrap tab of deck around wire to form a hinge.

No. in Kit	DESCRIPTION	Part No.
1	Generator	M0136
1	Number Board, L.H.	M0133
1	Number Board, R.H.	M0132
2	Blow-off Cocks	M0125
1	Check Valve	M0135
1	Whistle	M0126
1	Compressor	M0127
1	Oil Trap	M0137
1	Nathan Injector	M0130
1	Stoker Engine	M0131
1	Rear Deck	M0119
1	Rear Deck Support	M0120
1	Damper Control	M0138

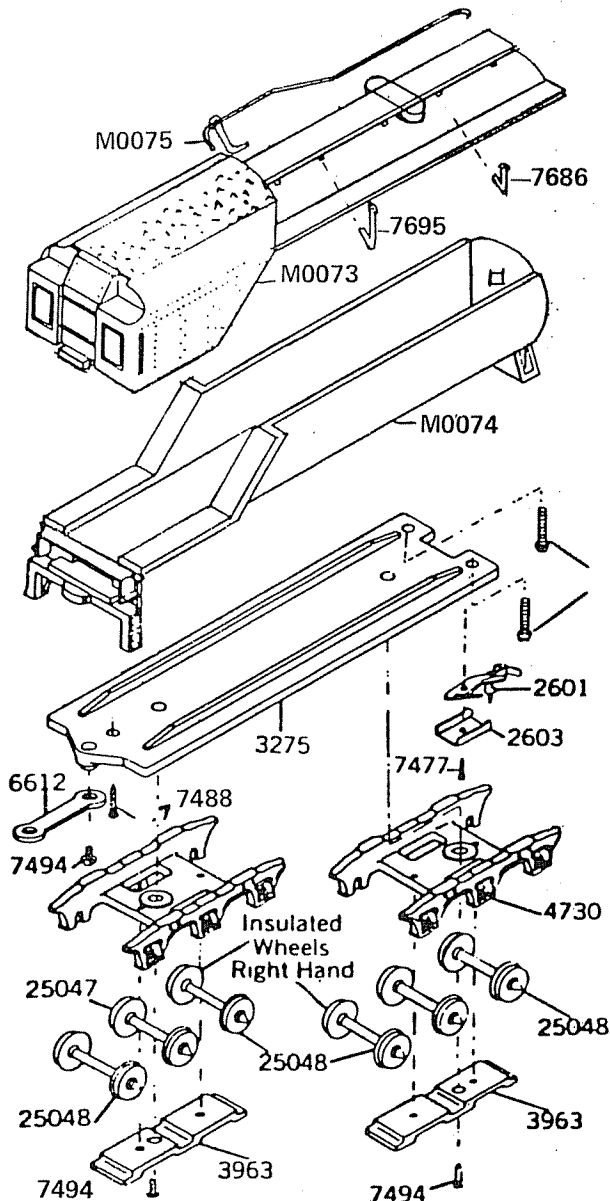


MANTUA

VANDERBILT TENDER ASSEMBLY

1. Check all parts with replacement list
2. Snap upper half of body onto lower half by inserting lugs in slots. Insert front lug first.
3. Assemble No.3275 underframe to body with three No.7488 screws, No.2-56 x 1/4" S.T. Insert No.7477 screw No.0 x 7/32 lg, into hole in No.2601 coupler and pocket No.2603 as shown. Fasten to No.M0074 body, be sure tabs on coupler pocket are fitted into openings provided in body.
4. Insert one pair of No.25048 wheels and axle, insulated on one side, in each end of the two No.4730 tender truck frames, making certain the insulated wheels are placed on the right side as the truck stands on the rail. (See drawing) Insert one pair of No.25047 wheels and axle, insulated on two sides, in the center. Place No.3963 retainer plate on trucks, line up small holes

5. Put handrail posts (2) No.7695 and (3) No.7686 on each handrail No.M0075 and press posts into holes under running board as shown. Be sure front of handrail wires are inserted in holes provided in top of coal pile.
6. Slip end of No.6612 drawbar over boss at front end of frame and screw in place with No.7494 screw, No.2-56 x 3/16" St. W.H.



No. in Kit	DESCRIPTION	Part No.
1	Tender Body, Upper	M0073
1	Tender Body, Lower	M0074
1	Handrail Package	M0108
1	Underframe, Tender	3275
3	Screws, #2 x 1/4" Long, R.H.S.T.	7488
1	Coupler Pocket	2603
1	Coupler	2601
1	Screw, #0 x 7/32" Long, R.H.S.T.	7477
2	Truck Frame, Tender	4730
2	Wheel & Axle, Pivot Pt. 33" ins. 2 sides	25047
4	Wheel & Axle, Pivot Pt. 33" ins. 1 side	25048
2	Retainer Plate	3963
1	Drawbar, Fibre	6612
4	Screw, #2-56 x 3/16" Lg. Washer H.D.S.T.7494	7494

REPLACEMENT PARTS

See your Hobby Dealer. If he cannot supply them you may order from the factory. Please send check or money order for parts required, plus \$1.00 for postage and handling.

DEFECTIVE PARTS

RETURN PARTS ONLY - NOT COMPLETE MODEL. Any defective part will be replaced at no charge. If complete or partially completed model is returned only the defective part will be replaced, not installed.

Please enclose check or money order for \$1.00 to cover the cost of postage and handling.

MANTUA FULL ONE YEAR WARRANTY

All Mantua Products are thoroughly inspected and tested prior to shipment and are guaranteed to operate satisfactorily and be free from factory defects. If within one (1) year from the date of purchase this product fails due to defect in material or workmanship Mantua will repair or replace it free of charge. This guarantee does not apply to (a) electric bulbs, (b) damage caused by accident, abuse or mishandling, dropping and (c) units which have been subjected to unauthorized repair. To prevent damage in transit please pack securely and return to: Mantua Service, Grandview Avenue, Woodbury Heights, N. J. 08097.