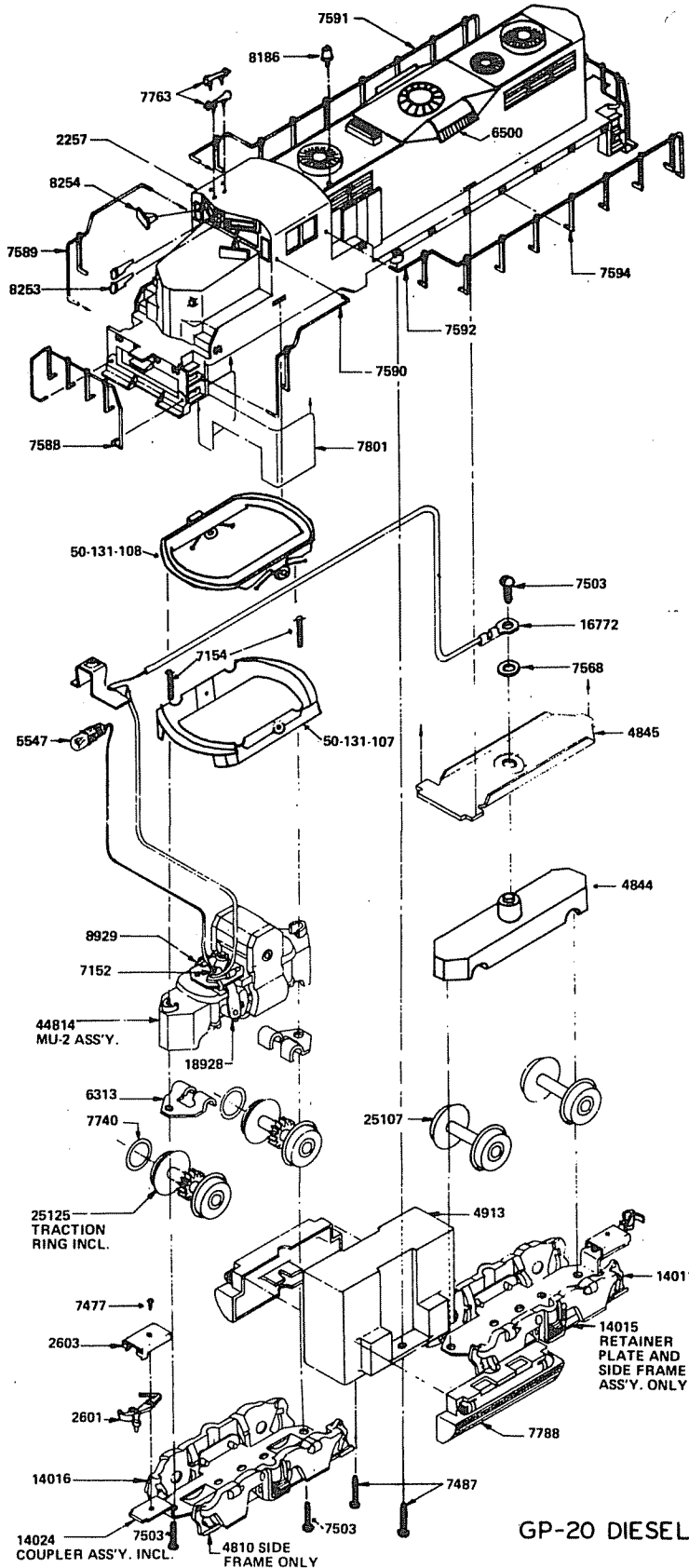


MANTUA

G. P. 20 DIESEL



No. in Unit	DESCRIPTION	Part No.
1	Body	2257
2	Horn	7763
1	Bell	8186
2	Headlight Lens	8254
2	Number Panels	8253
1	Window Insert	7801
1	Dynamic Brake	6500
1	Motor Unit Assembly (MU-2)	44814
2	Brush Spring	8929
1	Screw #2-56x3/16" Lg. S.T.	7152
2	Brush Arm and Tip Assembly	18928
1	Lead, Lug and Lamp Clip Assy.	16772
1	Mounting Plate	50-131-108
1	Yoke	50-131-107
2	Screws #2-56x5/16" W.H.S.T.	7154
1	Retainer Plate, Side Frame and Coupler Assembly	14024
1	Retainer and Side Frame Assy.	14016
2	Coupler Pocket	2603
2	Coupler	2601
2	Screw	7477
4	Side Frame	4810
2	Wheels, Axle and Gear Assembly	25125
2	Traction Ring	7740
2	Wheel Bearing Plate	6313
1	Retainer Plate, Side Frame and Coupler Assembly	14011
1	Retainer Plate and Side Frame Assembly	14015
2	Wheels and Axle Assembly	25107
1	Truck Housing, (non-powered)	4844
1	Screw #2-56x3/4" Lg. R.H.S.T.	7503
1	Washer	7568
1	Mounting Plate (non-powered truck)	4845
1	Lamp and Lead Assembly	5547
1	Weight	4913
2	Tank Unit	7788
2	Screw #2-56x3/8" Lg. R.H.S.T.	7487
2	Handrail, end	7588
1	Handrail, Front Side R.H.	7589
1	Handrail, Front Side L.H.	7590
1	Handrail, Rear Side R.H.	7591
1	Handrail, Rear Side L.H.	7592
26	Handrail Post	7594

SOLD AS PACKAGE \$1.00

REPLACEMENT PARTS

See your Hobby Dealer. If he cannot supply them, you may order from the factory. Please send check or money order for parts required, plus \$1.00 for Postage and Handling.

MANTUA FULL ONE YEAR WARRANTY

All Mantua Products are thoroughly inspected and tested prior to shipment and are guaranteed to operate satisfactorily and be free from factory defects. If within one (1) year from the date of purchase this product fails due to defect in material or workmanship Mantua will repair or replace it free of charge. This guarantee does not apply to (a) electric bulbs, (b) damage caused by accident, abuse, or mishandling, dropping and (c) units which have been subjected to unauthorized repair. To prevent damage in transit please pack securely and return to Mantua Service, Grandview Avenue, Woodbury Heights, N. J. 08097

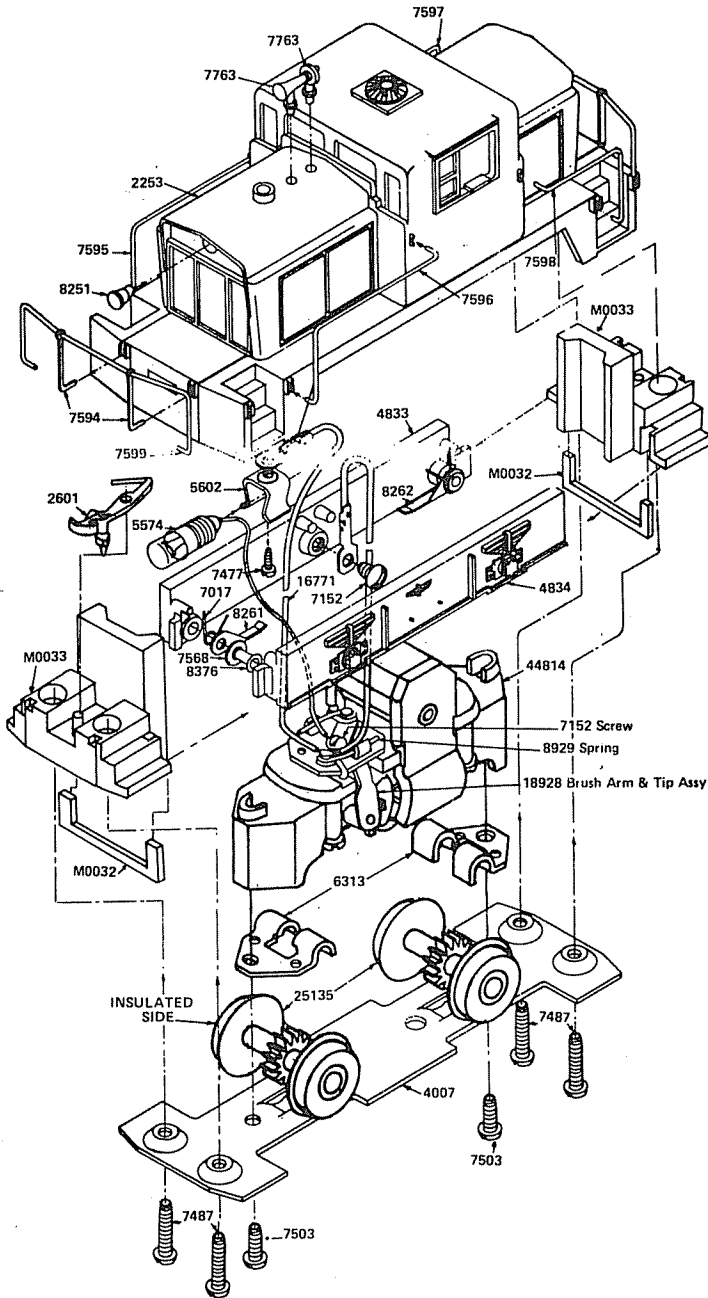
MANTUA

MANTUA METAL PRODUCTS CO., INC.
GRANDVIEW AVENUE, WOODBURY HEIGHTS, NEW JERSEY 08097

55-0023
1/80

MANTUA

PLYMOUTH YARD DIESEL



No. in Unit	DESCRIPTION	Part No.
1	Body	2253
1	Horn	7763
1	Headlight Lens	8251
4	Handrail Posts	7594
2	Handrail (end)	7599
1	Handrail (R.H. Front)	7595
1	Handrail (L.H. Front)	7596
1	Handrail (R.H. Rear)	7597
1	Handrail (L.H. Rear)	7598
SOLD AS A PACKAGE \$1.00		

1	Lamp Clip	5602
1	Screw #0x7/32 R.H.S.T.	7477
1	Lamp and Lead	5574
2	Coupler	2801
2	Side Frame Retainer	M0033
1	Truck Side (R.H.)	4833
1	Pick Up Arm	8261
1	Pick Up Arm	8262
2	Pick UP Spring	7017
2	Washer	7568
2	Eyelet	8376
1	Truck Side (L.H.)	4834
2	Insulators	M0032
1	Motor Unit Assembly	44814
2	Brush Springs	8929
2	Screw #2x3/16 R.H.S.T.	7152
2	Brush Arm and Tip Assembly	18928
2	Wheel Bearing Plate	6313
2	Wheel, A, B and Gear Assembly	25135
1	Retainer Plate	4007
2	Screw #2x1/2" R.H.S.T.	7503
1	Lead and Lug Assembly	16771
4	Screw #2x3/8" R.H.S.T.	7487

REPLACEMENT PARTS

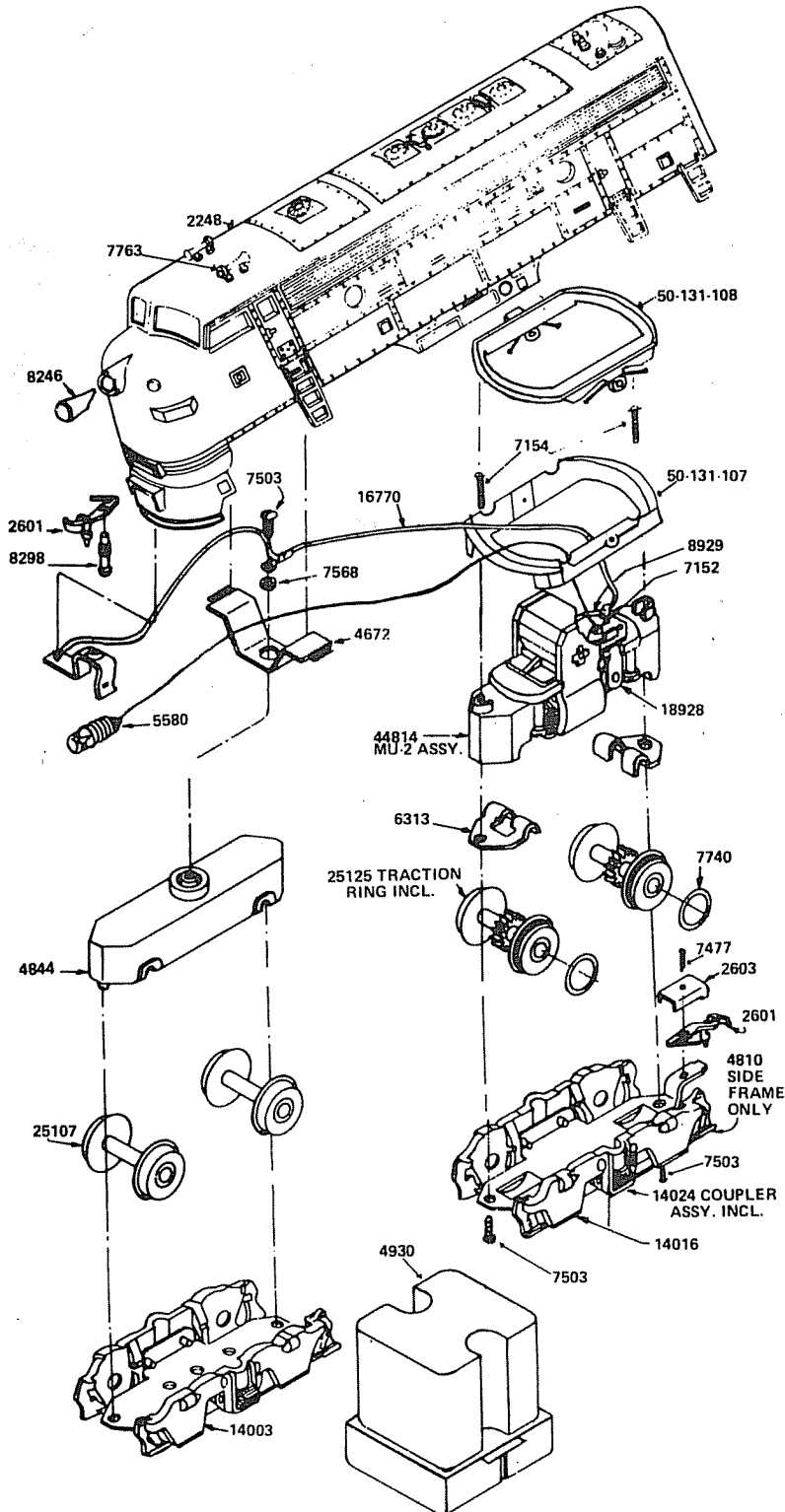
See your Hobby Dealer. If he cannot supply them, you may order from the factory. Please send check or money order for parts required, plus \$1.00 for Postage and Handling.

MANTUA FULL ONE YEAR WARRANTY

All Mantua Products are thoroughly inspected and tested prior to shipment and are guaranteed to operate satisfactorily and be free from factory defects. If within one (1) year from the date of purchase this product fails due to defect in material or workmanship Mantua will repair or replace it free of charge. This guarantee does not apply to (a) electric bulbs, (b) damage caused by accident, abuse, or mishandling, dropping and (c) units which have been subjected to unauthorized repair. To prevent damage in transit please pack securely and return to Mantua Service, Grandview Avenue, Woodbury Heights, N. J. 08097.

MANTUA

F-7 DIESEL "A" UNIT



No. in Unit	DESCRIPTION	Part No.	Unit
2	Wheel and Axle Assembly	25107	
1	Retainer Plate and Side Frame Assembly	14003	
1	Truck Housing (non-powered)	4844	
1	Bolster	4672	
1	Screw 2-56x $\frac{1}{4}$ " R.H.S.T.	7503	
1	Washer Brass #2	7568	
1	Mounting Plate	50-131-108	
1	Yoke	50-131-107	
2	Screw 2-56x $\frac{5}{16}$ " W.H.S.T.	7154	
1	Motor Unit Assembly	44814	
2	Brush Spring	8929	
1	Screw 2-56x $\frac{3}{16}$ " L.G.S.T.	7152	
2	Brush Arm and Tip Assembly	18928	
2	Wheel Bearing Plate	6313	
2	Wheel, Axle and Gear Assembly	25125	
2	Traction Ring	7740	
1	Retainer Plate, Side Frame and Coupler Assembly	14024	
1	Retainer Plate and Side Frame Assembly	14016	
1	Coupler Pocket	2603	
1	Coupler	2601	
1	Screw #0x $\frac{7}{32}$ " R.H.S.T.	7477	
2	Side Frame	4810	
2	Screw 2-56x $\frac{1}{4}$ " R.H.S.T.	7503	
1	Lead, Lug and Lamp Clip Assembly	16770	
1	Fuel Tank and Weight Combination	4930	
1	Lamp and Lead	5580	
1	Coupler	2601	
1	Drive Pin	8298	
1	Body	2248	
2	Horns	7763	
1	Headlight Lens	8246	

REPLACEMENT PARTS

See your Hobby Dealer. If he cannot supply them, you may order from the factory. Please send check or money order for parts required, plus \$1.00 for Postage and Handling.

MANTUA FULL ONE YEAR WARRANTY

All Mantua Products are thoroughly inspected and tested prior to shipment and are guaranteed to operate satisfactorily and be free from factory defects. If within one (1) year from the date of purchase this product fails due to defect in material or workmanship Mantua will repair or replace it free of charge. This guarantee does not apply to (a) electric bulbs, (b) damage caused by accident, abuse, or mishandling, dropping and (c) units which have been subjected to unauthorized repair. To prevent damage in transit please pack securely and return to Mantua Service, Grandview Avenue, Woodbury Heights, N. J. 08097.