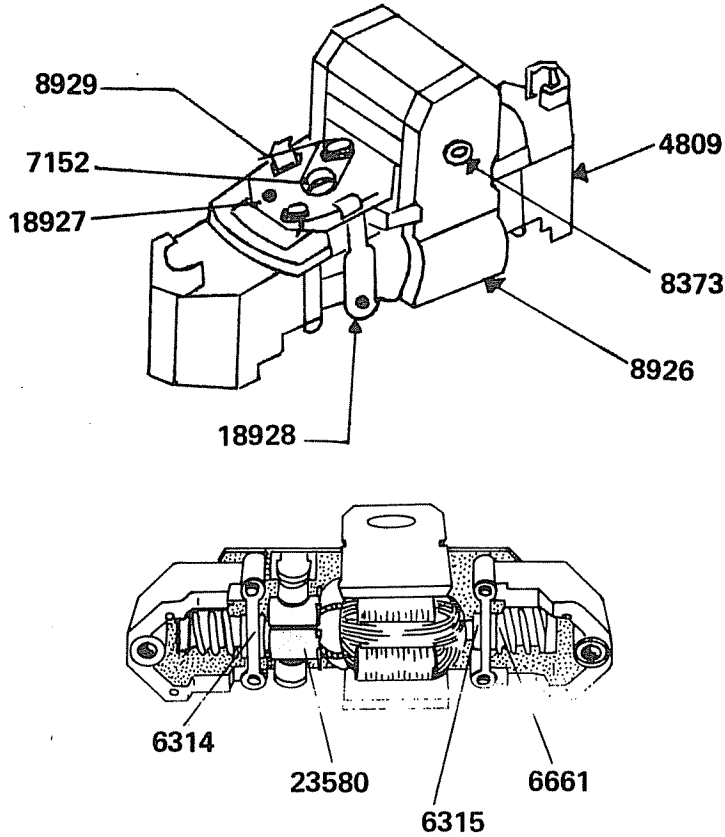


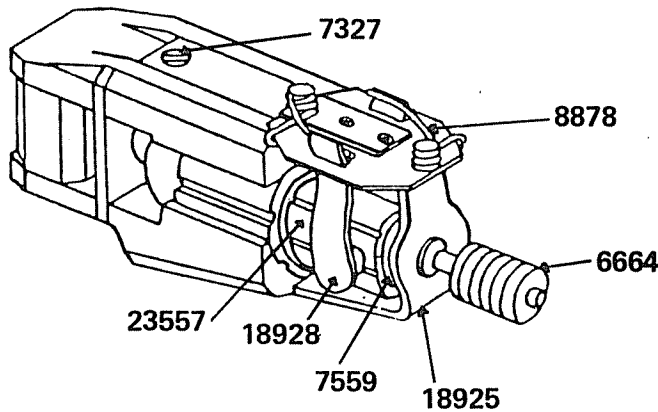
MANTUA

MU-2 Motor



| In Each | #44814 MU Motor Rep. Parts | Part No. | Unit Price |
|---------|----------------------------|----------|------------|
| 1 | Brush Plate Assembly | 18927 | |
| 2 | Brush Assemblies | 18928 | |
| 2 | Brush Springs | 8929 | |
| 1 | Screw #2x3/16 R.H. Type 23 | 7152 | |
| 1 | Housing (Motor) | 4809 | |
| 2 | Pole Pc's | 8926 | |
| 1 | Rivet R.H. 3/4" Long | 8373 | |
| 1 | Armature | 23580 | |
| 2 | Bearings (Armature) | 6315 | |
| 2 | Worms 48 Pitch | 6661 | |
| 2 | Bearing Straps | 6314 | |

PM-1 Motor



| In Each | #33578 PM-1 Motor w/worm | Part No. |
|---------|------------------------------|----------|
| 1 | Front End Assembly | 18925 |
| 2 | Brush Assemblies | 18928 |
| 2 | Brush Springs | 8878 |
| 1 | Armature | 23557 |
| 3 | Washers | 7559 |
| 1 | Worm 56 Pitch | 6664 |
| 2 | Screws #2x1/8" Lg. Flat Head | 7327 |

