

MANTUA

Retrofit Kit 810

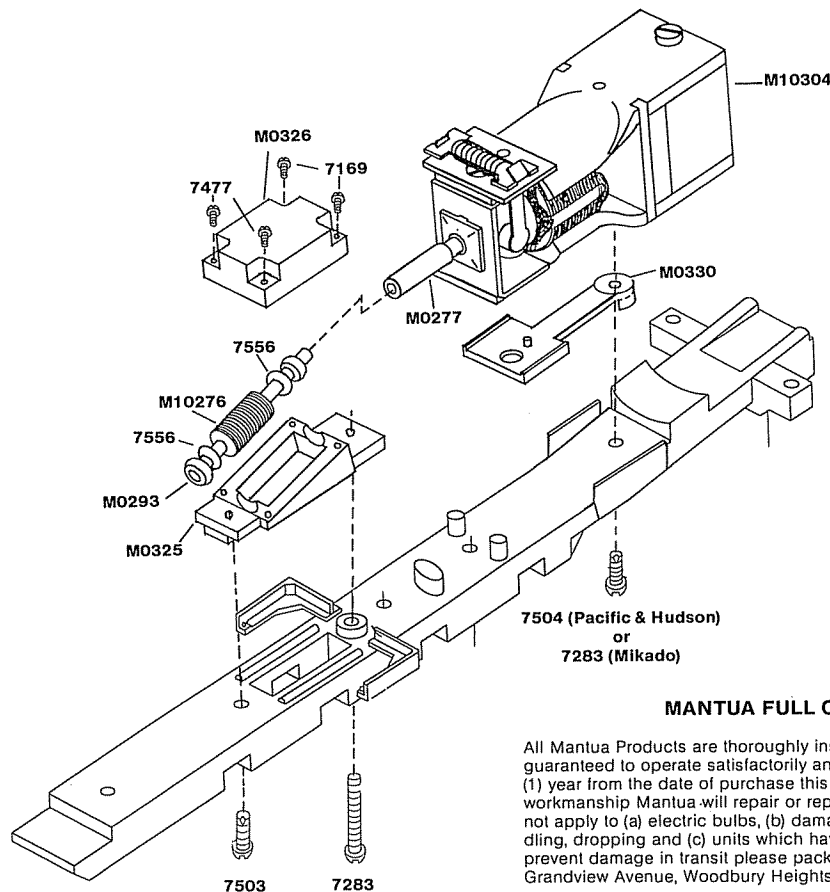
ASSEMBLY INSTRUCTIONS

- Place steel thrust washers on shaft at each end of worm. Next place bearings on each end of shaft against washers and worm.
- Assemble gear box by placing shaft and bearings in cavities provided in lower half and fastening top half with four #0 self tapping screws. There is a locating pin and cavity to align the two parts.
- Place gear box as shown and secure to frame with 2-56x1/2" screw up through original motor hole in frame. Some of the frames may need the front hole in the frame drilled out with a #50 drill which is .070" in dia. Take out retainer plate screw and drill hole all the way through frame from the bottom. Secure front of gear box with 2-56x1/4" S.T. Screw and replace retainer plate screw.
- Place adapter on frame with front touching the two pins on frame, and using as a template, drill a .096" hole through frame using a #41 drill. The area around the hole on the bottom of the Mikado must be filed flat so the screw head can be seated flat. Use the other 2-56x1/2" screw to go through frame and adapter and into threaded hole in motor for the Mikado. The half boss on the end of the adapter plate is filed down even with the extension bar and the shorter 2-56x3/8" screw is used on the Pacific and Hudson.

- Align motor and worm shafts and tighten. Place flexible tubing over shafts and check for free movement from motor to wheels.
- Solder a lead wire on each brush arm near the top. Fasten the wire from the right brush to any part of the motor frame or the locomotive frame. Left brush wire is connected to tender.
- Lubricate the bearings and gears before running.

No. in Kit	Description	Part No.	Unit
1	Lower Gear Case	M0325	
1	Upper Gear Case	M0326	
1	Worm Shaft Assembly	M10276	
2	Bearing	M0293	
2	Washer	7556	
2	Screw, #0x5/16" S.T.	7169	
1	Screw, 2-56x1/4" S.T.	7503	
2	Screw, 2-56x1/2"	7283	
1	Adapter plate	M0330	
1	MG-81 Motor	M10304	
1	Flexible Coupling, 7/8" long	M0277	
1	Screw, 2-56x3/8"	7504	
2	Screw, 0x7/32 S.T.	7477	

ALL PRICES SUBJECT TO CHANGE WITHOUT NOTICE



MANTUA FULL ONE YEAR WARRANTY

All Mantua Products are thoroughly inspected and tested prior to shipment and are guaranteed to operate satisfactorily and be free from factory defects. If within one (1) year from the date of purchase this product fails due to defect in material or workmanship Mantua will repair or replace it free of charge. This guarantee does not apply to (a) electric bulbs, (b) damage caused by accident, abuse or mishandling, dropping and (c) units which have been subjected to unauthorized repair. To prevent damage in transit please pack securely and return to: Mantua Service, Grandview Avenue, Woodbury Heights, N.J. 08097.

