

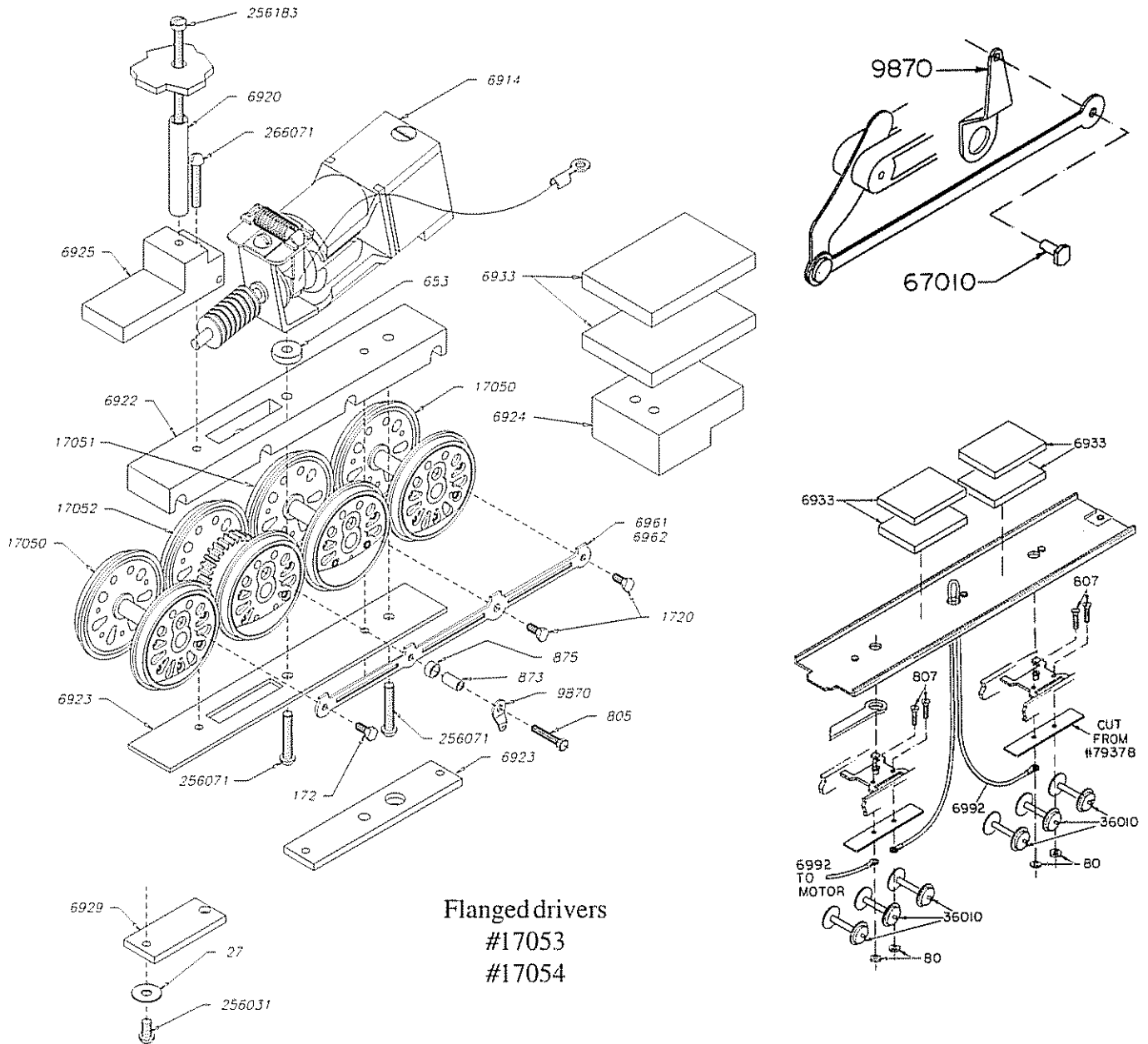
English's Model Railroad Supply

(A DIVISION OF BOWSER MFG. CO., INC.)

HO MECHANISM KITS FOR BACHMANN AND LIONEL ENGINES

#3-204 BACHMANN or LIONEL GS-4

This mechanism includes a zinc die-cast underframe and cover plate, 80" box pok drivers, stamped brass side rods, DC-71 motor, complete mounting hardware, engine and tender weights, tender truck wheels and electrical pick-up. Uses the Bachmann lead trucks, trailing trucks and valve gear.



DISCLAIMER:

Since Bachman may make changes and improvements from time to time, it may affect how our mechanisms fit.