

English's Model Railroad Supply

(A DIVISION OF BOWSER MFG. CO., INC.)

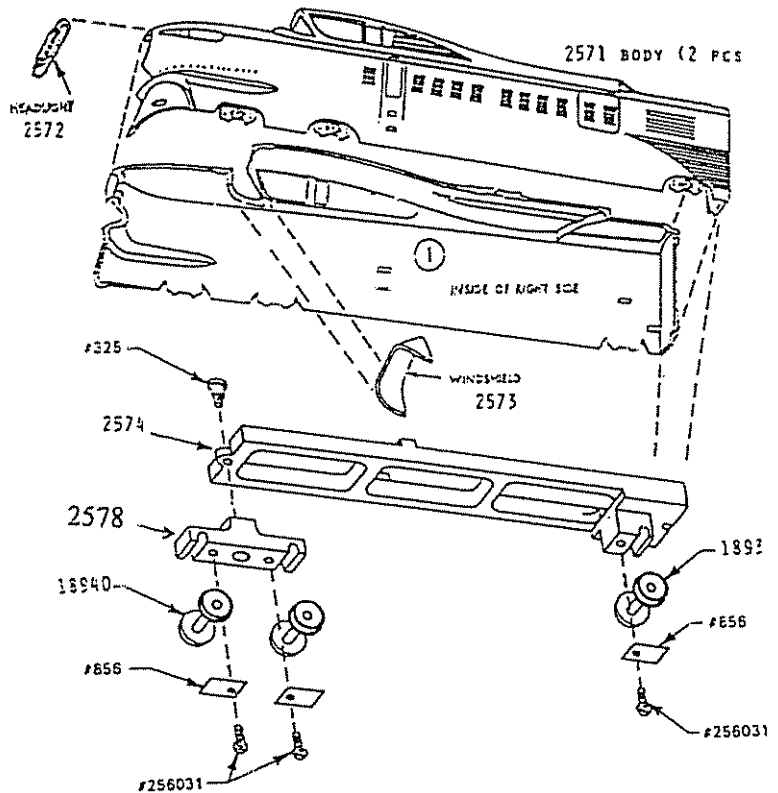
AERO TRAIN

Extra Coachs, Observations and Locos

- 3-310 Engine GM
- 3-311 Engine PRR
- 3-312 Engine NYC
- 3-313 Engine RI
- 3-314 Engine UP

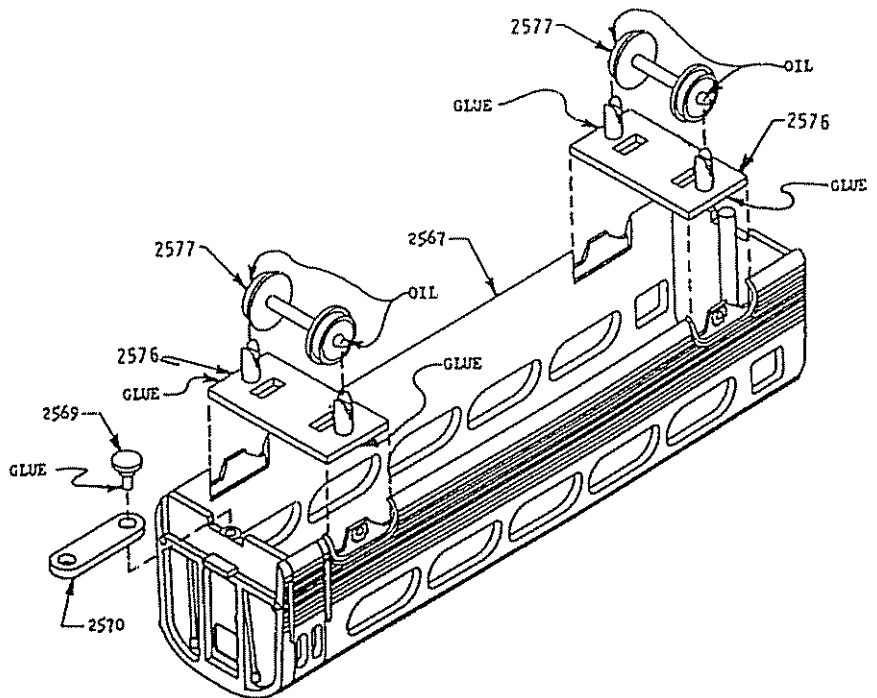
- 3-315 Coach GM, NYC or UP
- 3-316 Coach PRR
- 3-317 Coach RI

- 3-318 Observation GM, NYC or UP
- 3-319 Observation PRR
- 3-320 Observation RI



AEROTRAIN PARTS LIST

Part#	Description
325	Shouldered screw
856	Retainer
2567	Coach Body
2568	Bolster with coupler pocket
2569	Drawbar pin
2570	Drawbar
2571	Loco body (lt & rt)
2572	Headlight
2573	Wind shield
2574	Dummy frame
2575	Observation end
2576	Bolster
2577	33" wheel & axle shouldered end
2578	Dummy wheel frame
18933	33" wheel and axle
18940	40" wheel and axle
256031	Screw, pack of 20



OBSERVATION END #2575

We recommend using a plastic cement like Testors plastic cement.