

BOWSER MANUFACTURING CO., INC  
1302 JORDAN AVE  
MONTOURSVILLE, PA 17754

PHONE (570) 368-2379  
FAX (570) 368-5046

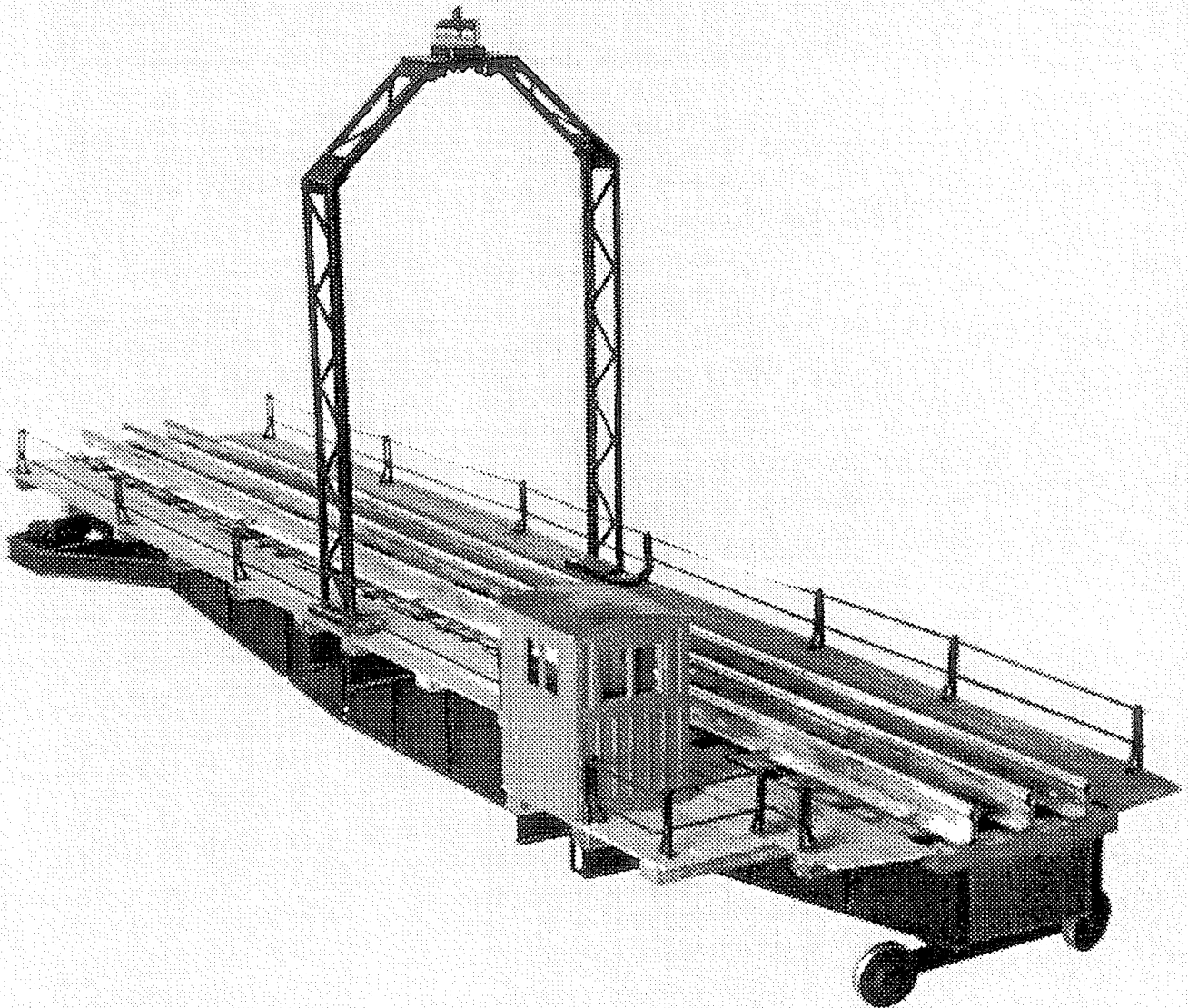
## BRIDGE DETAIL INTRUCTIONS FOR BOWSER "O" GAUGE TURNTABLES.

*Please note; This is a generic instruction and quantity, size and shape of parts may vary for your particular turntable*

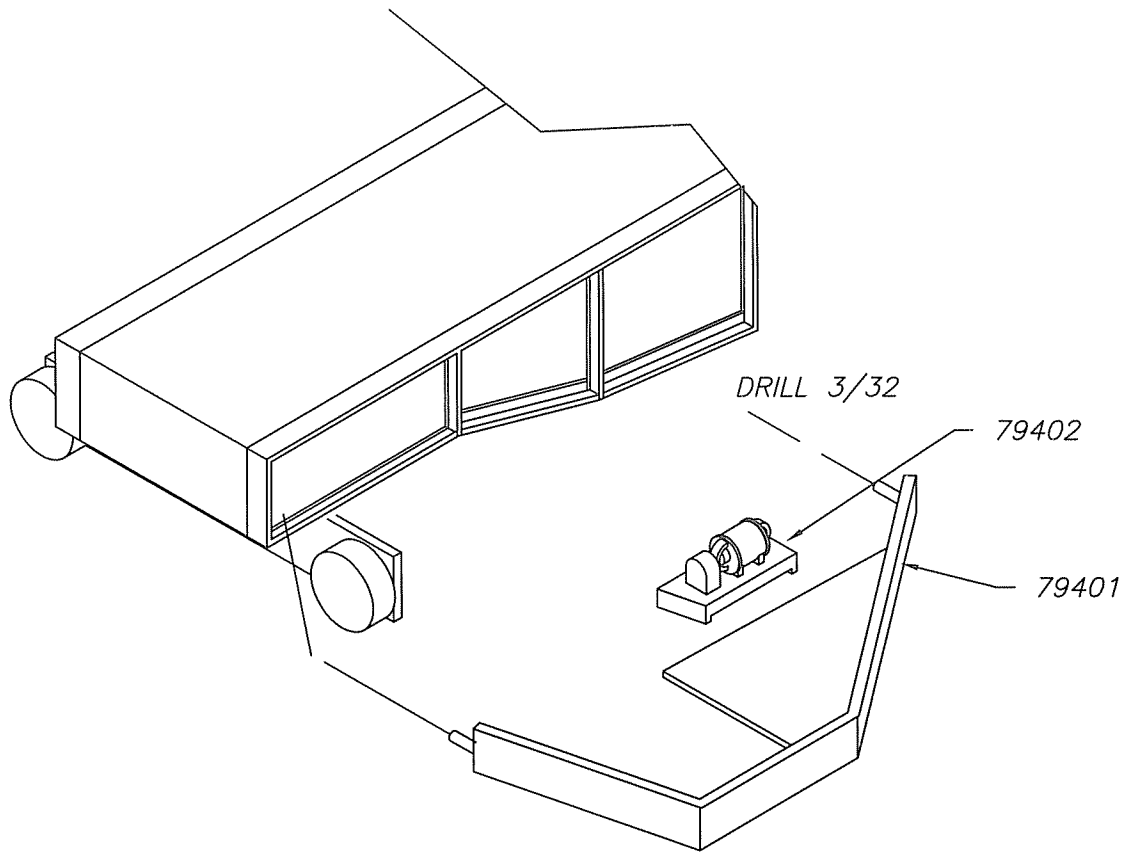
*Remove bridge and install side grider plates.*

*Use wiring diagram supplied with turntable kit if needed.*

*Refer to photos as necessary for placement of parts.*



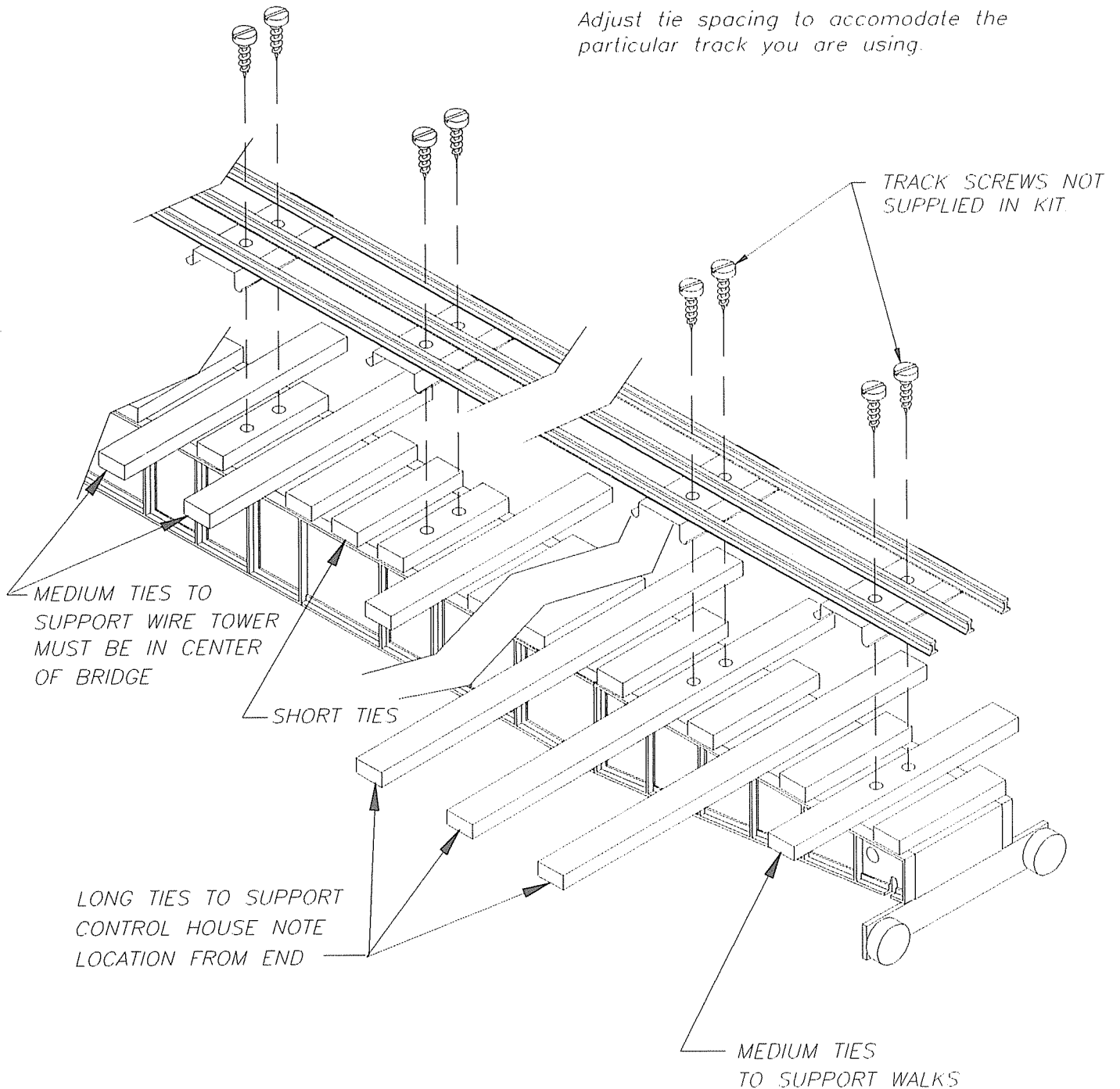
Mount bracket to bridge.



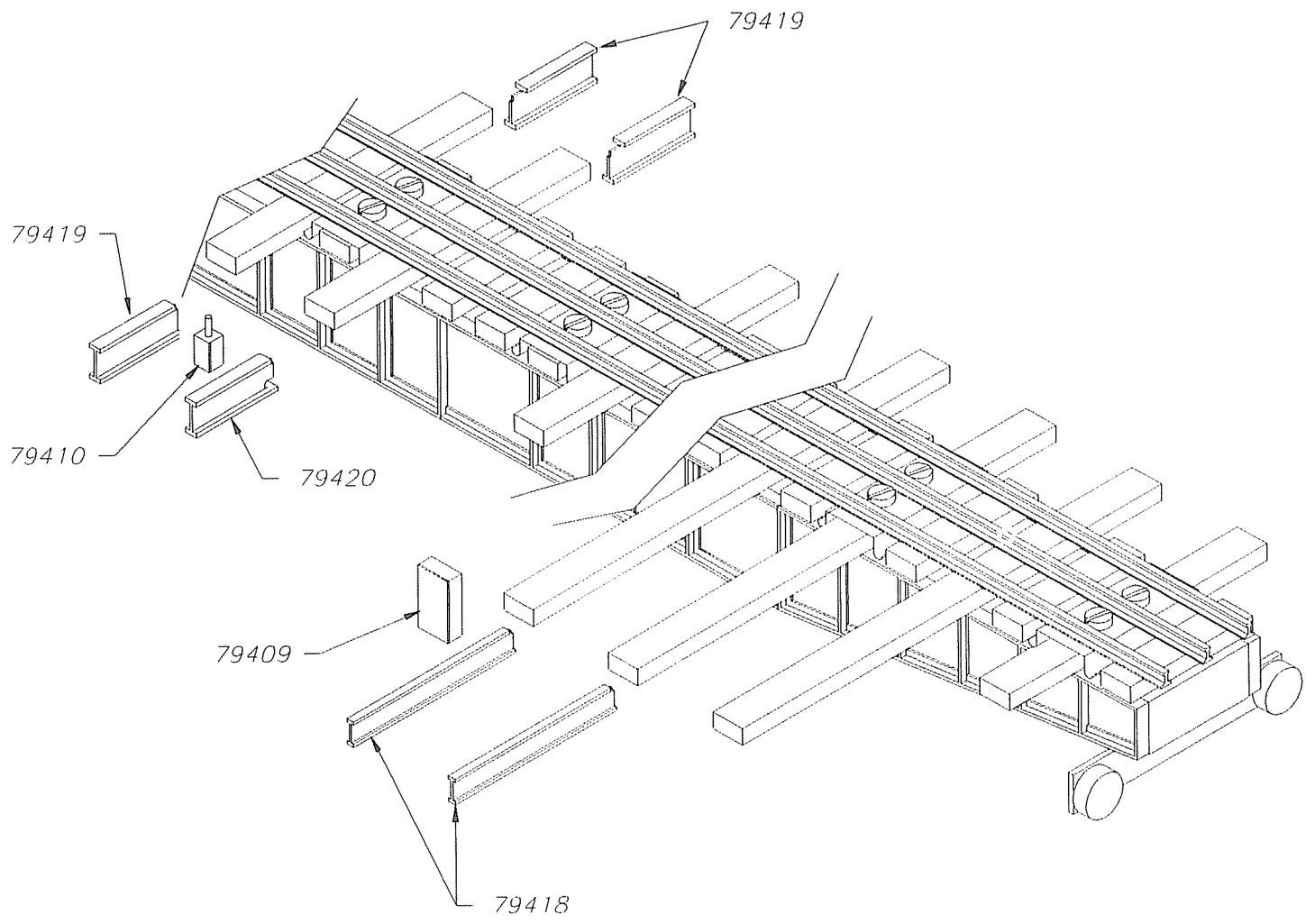
Note all wooden ties must have holes drilled for screws to prevent splitting.  
 Install medium length wooden tie on center of bridge.  
 Install (2) medium 4 13/32" wooden ties to support wire tower next to center tie.  
 Install (2) short 2 7/32" wooden ties on each side of tower support ties.  
 Install ties using (2) short and (1) medium for the remainder of bridge to support walks  
 Install (3) long 5 3/4" ties to support control house. Position them as shown  
 Assure all other ties are centered under track.

Note: Control house is on same side of bridge as drive mechanism but on opposite end.

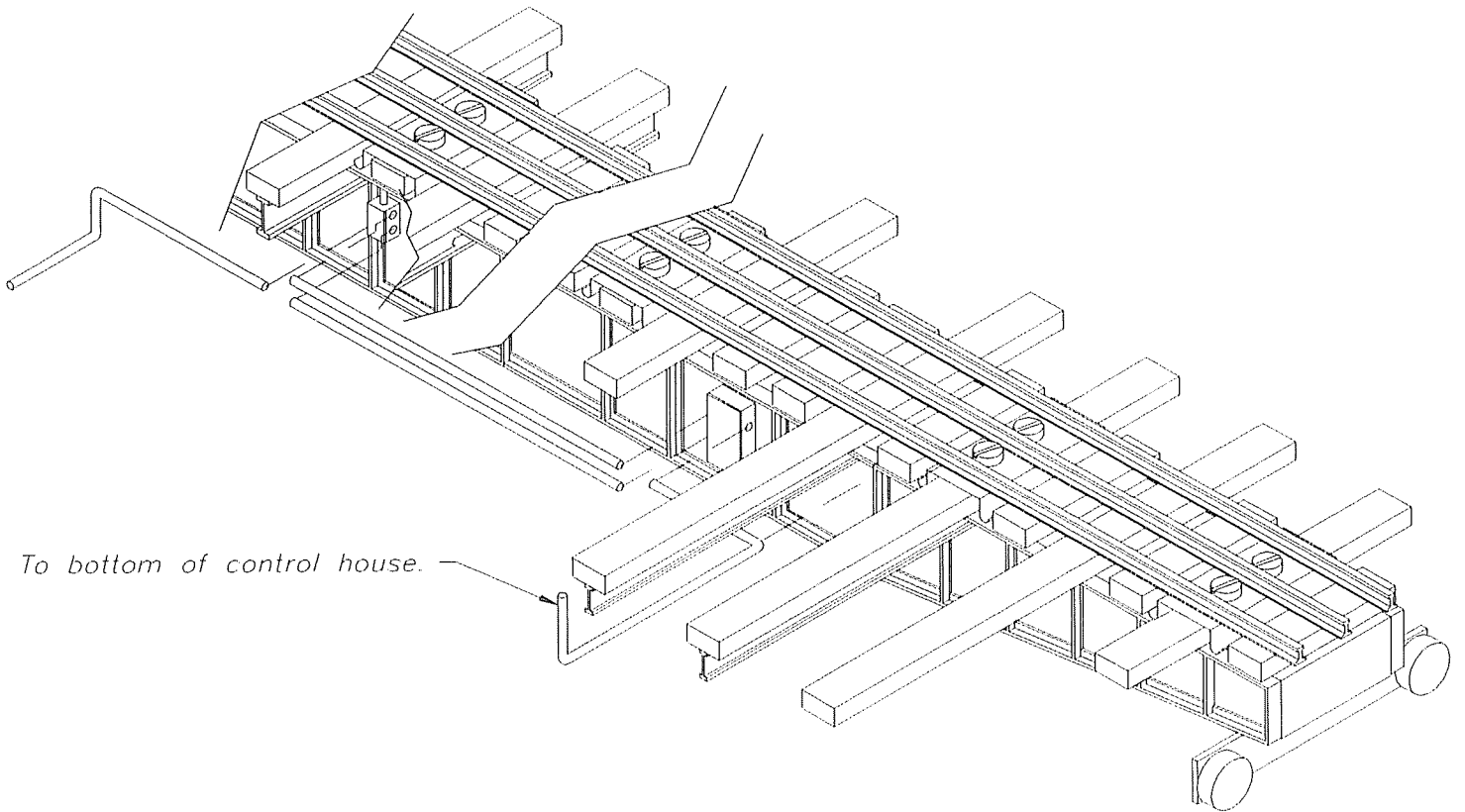
Adjust tie spacing to accomodate the particular track you are using.



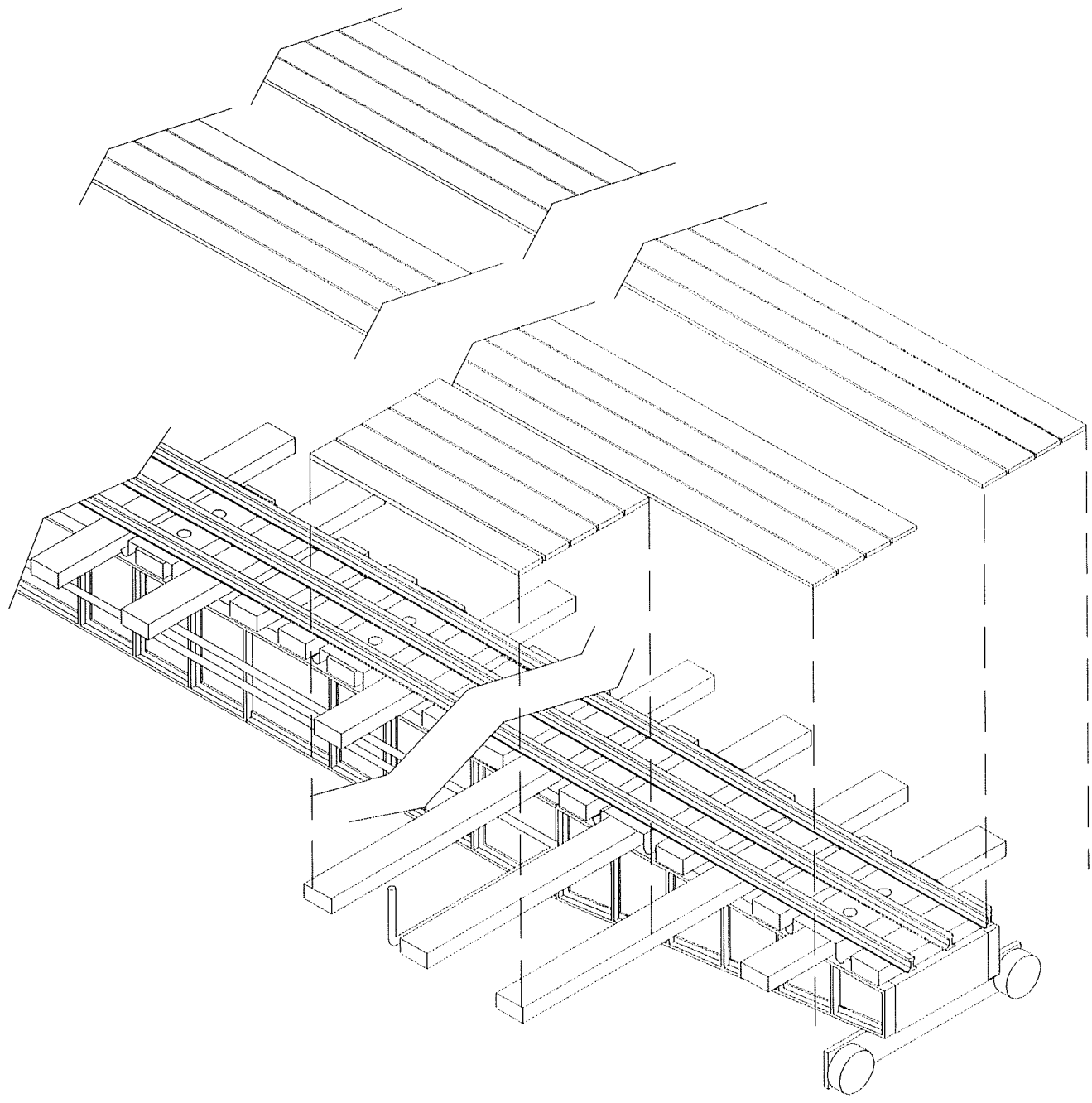
Glue details in place as shown.  
See photos for placement of details.



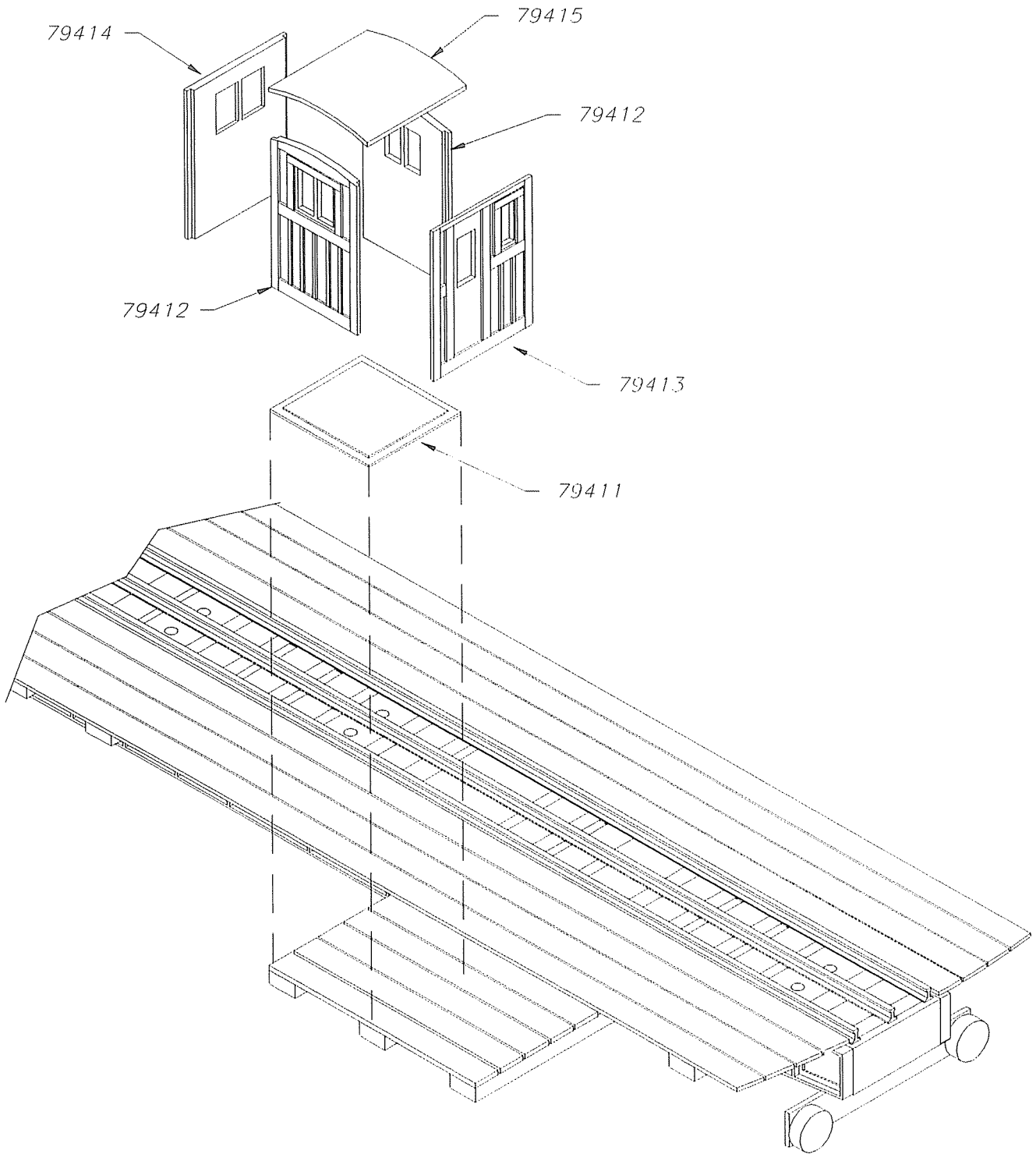
Form 1/16" wire to represent electrical connections and install as shown in drawings and photos.



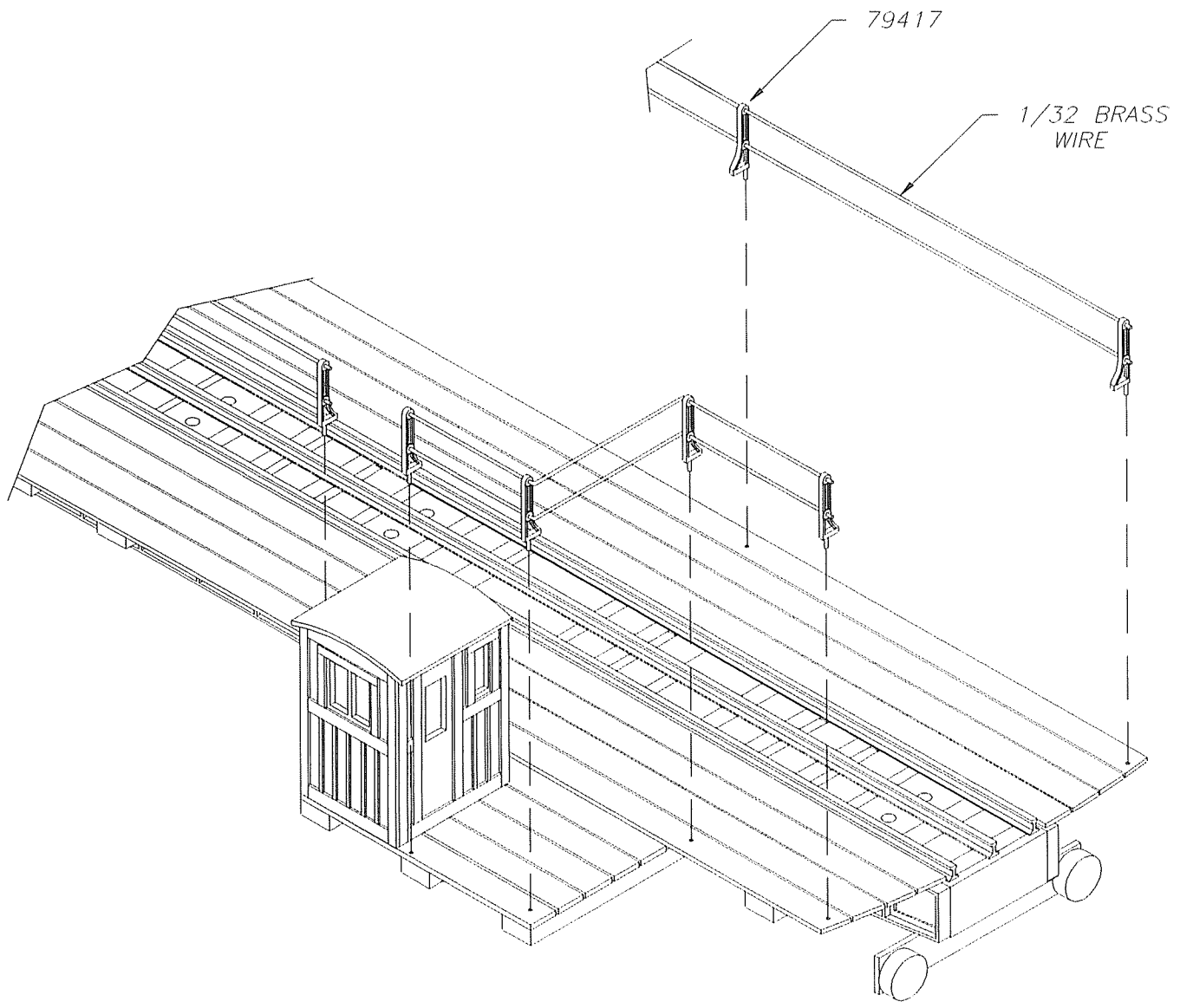
*Install decking on bridge as shown. Glue in place.  
RADIUS ends of decking to suit size bridge you are building.*



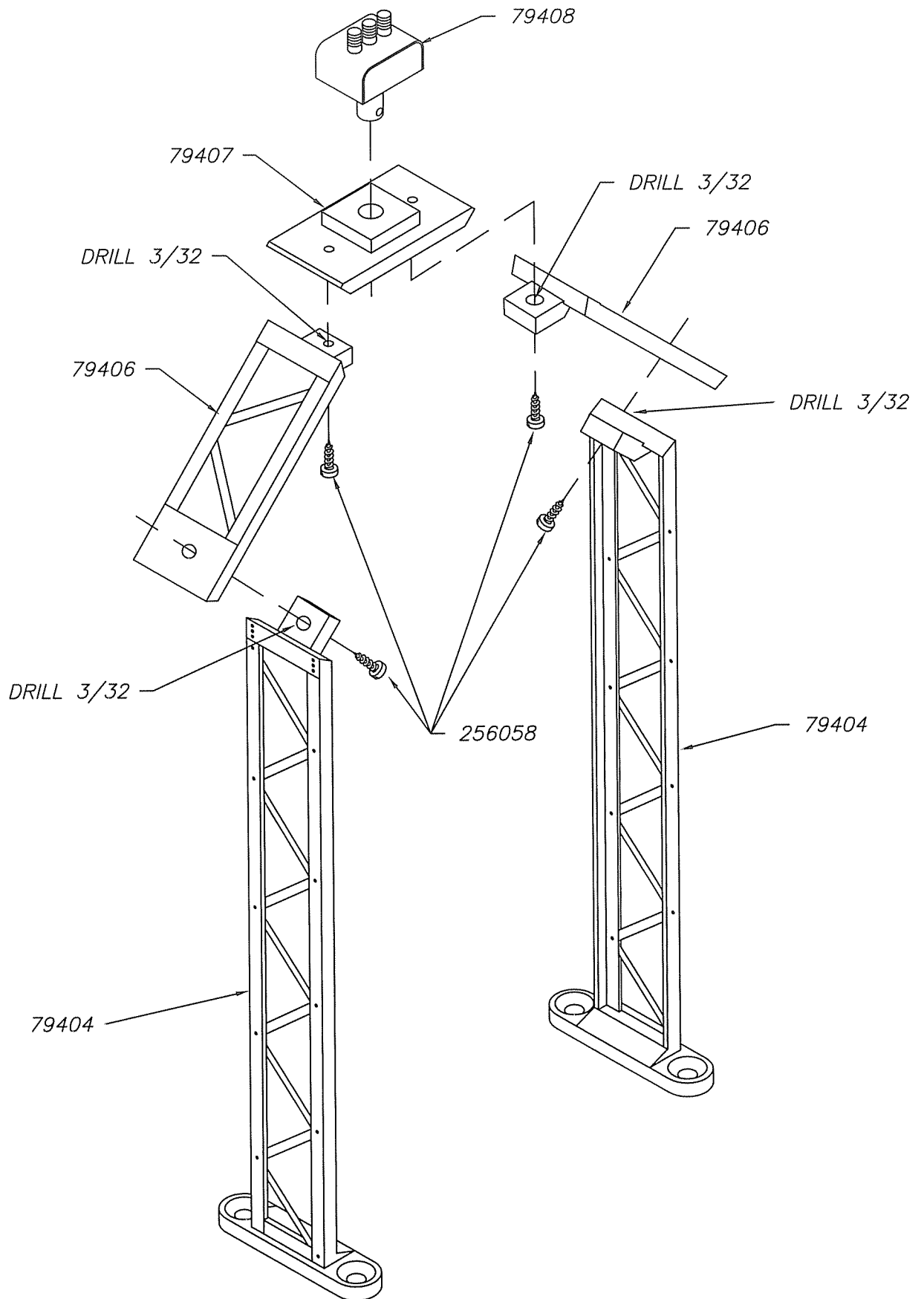
Assemble control house and glue in place.  
Radius ends of decking to suit size bridge you are building.



Drill 1/16" holes for handrail posts in walks above medium length and long ties  
Assemble handrail posts to wire and glue to walks.  
Paint, install completed bridge into pit and ENJOY.







Locate and drill holes for tower in walks being sure to provide clearance for handrails.  
Note! Tower must be located in center of bridge.

