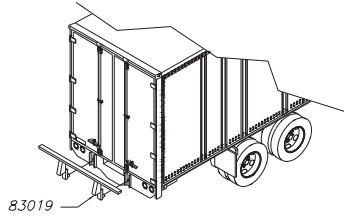


Bowser

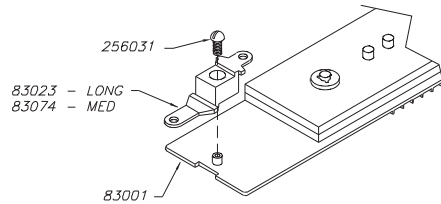
INSTRUCTIONS FOR 'O' GAUGE ROADRAILER*

INSTRUCTION #83024

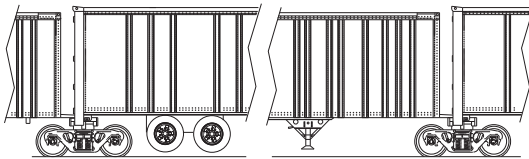
STEP 1 INSTALL BUMPER. PRESS IN PLACE.



STEP 2 DETERMINE TONGUE LENGTH AND INSTALL TONGUE TO FLOOR.
SHORT TONGUE FOR ATTACHING TO COUPLERMATE*
MEDIUM TONGUE FOR WIDE RADIUS CURVES
LONG TONGUE FOR "O" SCALE, 0-27 OR 0-42 OPERATION



ASSEMBLING A TRAIN FOR RAIL SERVICE



TO COUPLE TRAILERS, LIFT REAR TRAILER A SHORT DISTANCE AND INSERT THE TONGUE OF NEXT TRAILER INTO SLOT IN REAR OF LAST TRAILER AND SET BACK OF LAST TRAILER DOWN ON TRACK. TO UNCOUPLE SIMPLY LIFT TRAILER AND PULL APART.

A COUPLERMATE* WHICH IS SOLD SEPARATELY IS REQUIRED TO COUPLE ROADRAILERS* TO A LOCOMOTIVE.

ADJUSTMENTS ARE PROVIDED TO ALLOW CONVERSION OF ROADRAILER* FOR HIGHWAY USE. THE FOLLOWING WILL EXPLAIN HOW TO MAKE THESE CHANGES. ADDITIONAL PARTS ARE SUPPLIED TO MAKE CONVERSION.

WHEELS ARE RAISED NEXT TO TRAILER FLOOR WHEN TRAILER IS IN RAIL MODE AND IN LOWER POSITION FOR HIGHWAY USE. TANDEM AND MUDFLAPS ARE LOCATED FORWARD WHEN IN RAIL MODE AND MOVED TO THE REAR FOR HIGHWAY USE.

REMOVE BODY FROM FLOOR. REPOSITION THE FRONT TONGUE TO HAVE THE SHORT TONGUE FORWARD.
REMOVE BOGIE AND SWIVEL BOLSTER FROM BACK OF TRAILER. THE REAR BUMPER IS REPLACED WITH HIGHWAY BUMPER PART #83071.

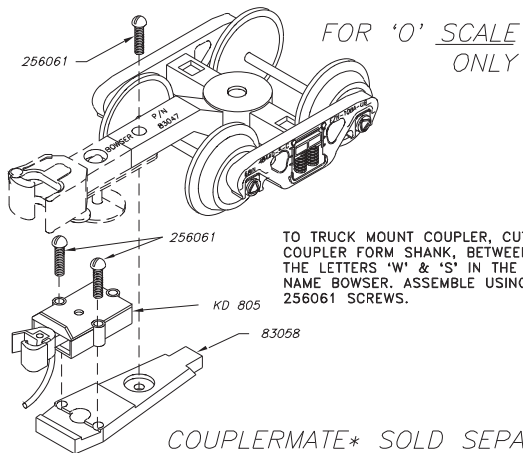
THE TANDEM AND MUDFLAPS ARE MOVED TO THE REAR SET OF HOLES IN THE FLOOR. THE TANDEM WILL SNAP OUT AND BACK INTO THE FLOOR. IT MAY BE NECESSARY TO TRIM A CORNER FROM TANDEM BRACKETS TO CLEAR THE #2646 SCREW WHICH SECURES THE BODY TO THE FLOOR.

THE WHEELS ARE RELOCATED INTO THE LOWER SET OF HOLES IN THE TANDEM FRAMES. THEY SHOULD PULL OFF AXLES AND EASILY PRESS BACK ON.

REMOVE THE SHORT CENTER PIECE OF THE LANDING GEAR AND REPLACE IT WITH LONG CENTER OF LANDING GEAR PART #83075

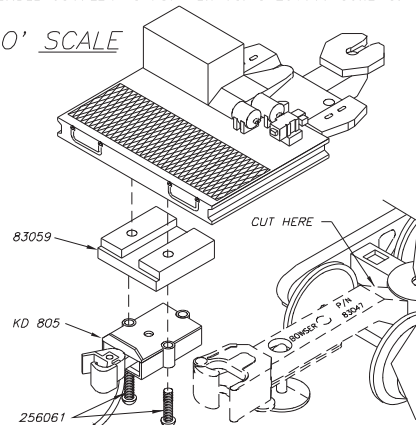
TO ORDER REPLACEMENT TRAILER BODY BE SURE TO INCLUDE ROAD NAME. OTHERWISE AN UNPAINTED, UNDECORATED BODY WILL BE SHIPPED.

TO ASSEMBLE KD COUPLERS TO COUPLERMATE.



TO BODY MOUNT COUPLER, CUT COUPLER SHANK AT BOLSTER. GLUE 83059 TO BODY USING EPOXY OR AMBROID GLUE. DO NOT USE SUPER GLUE. ASSEMBLE COUPLER TO ADAPTER USING 256061 SCREWS.

FOR 'O' SCALE ONLY



* ROADRAILER AND COUPLERMATE ARE REGISTERED TRADEMARKS OF WABASH NATIONAL CORP.