

TURNTABLES

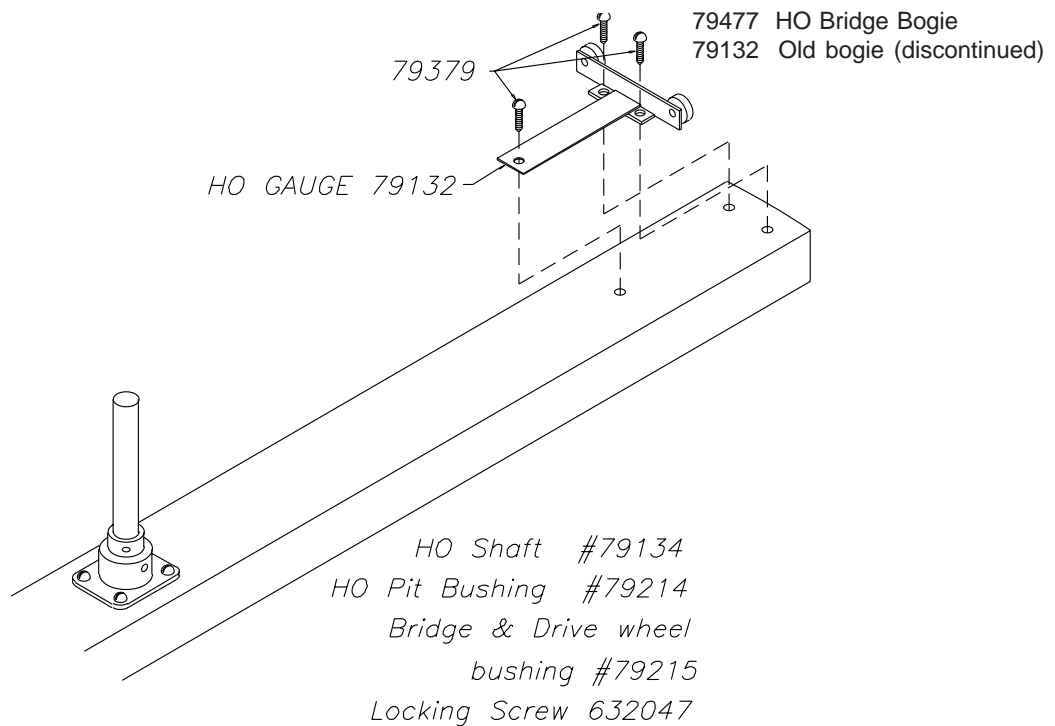
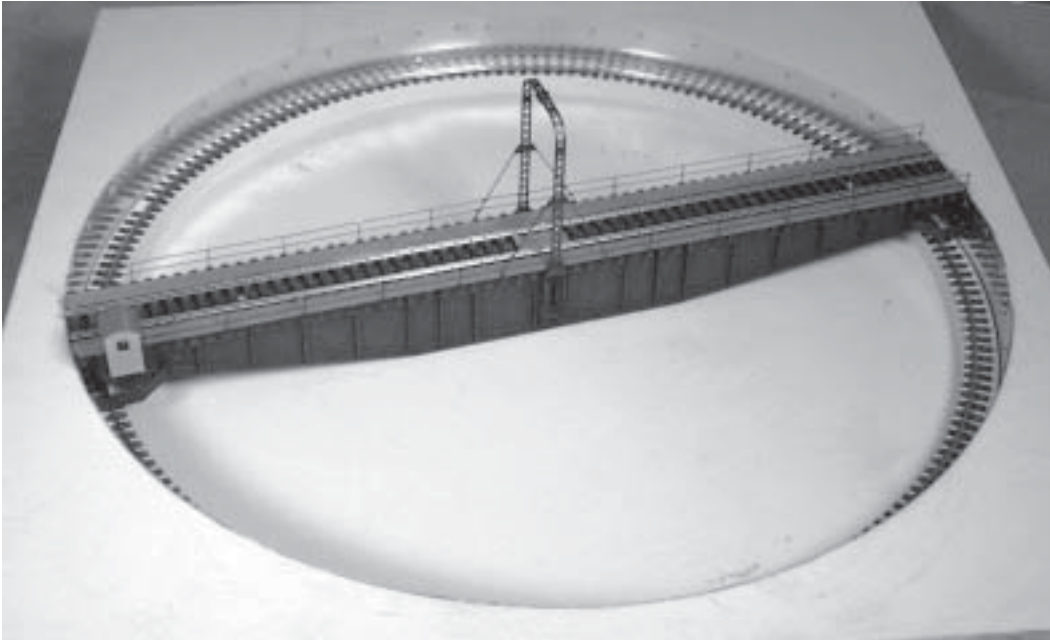
A Bowser turntable is made of 1/2" plywood with a brass pit wall, it is painted gray; the pit rail is already laid and the wiring done. The center shaft , bearings and bogies are installed on the wooden bridge beam. Track NOT included. A turntable requires a square hole 2" larger than the bridge length and at least 6" of clearance under the layout. 'O', 'S', 'N' & 'G' Turntables are available.

HO TURNTABLES

#7914 With 14" Bridge

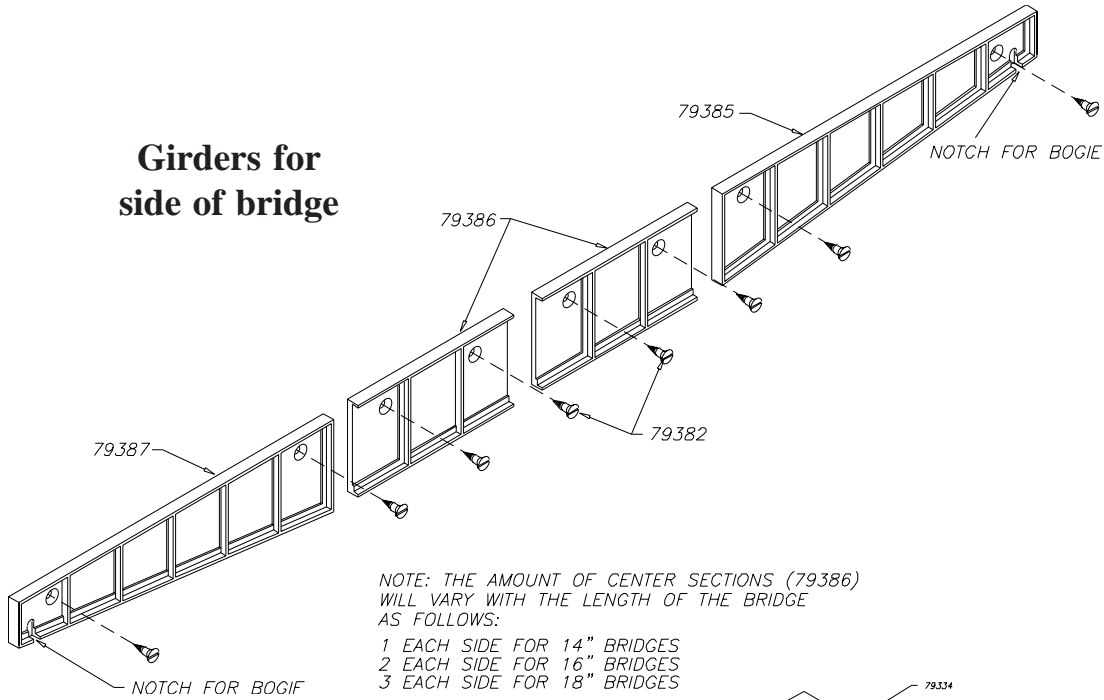
#7916 With 16" Bridge

#7918 With 18" Bridge



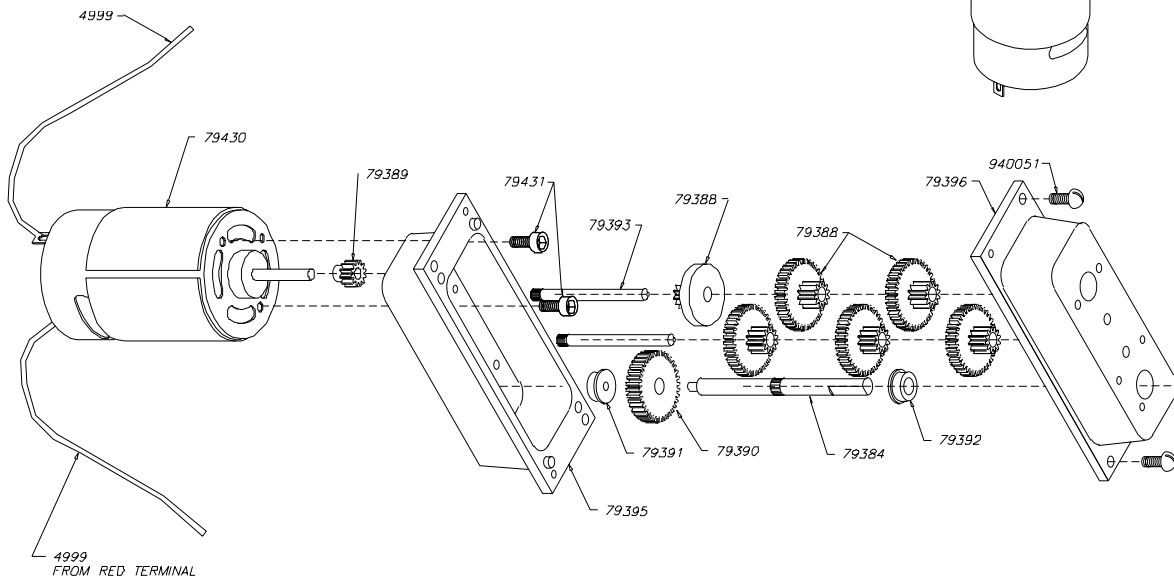
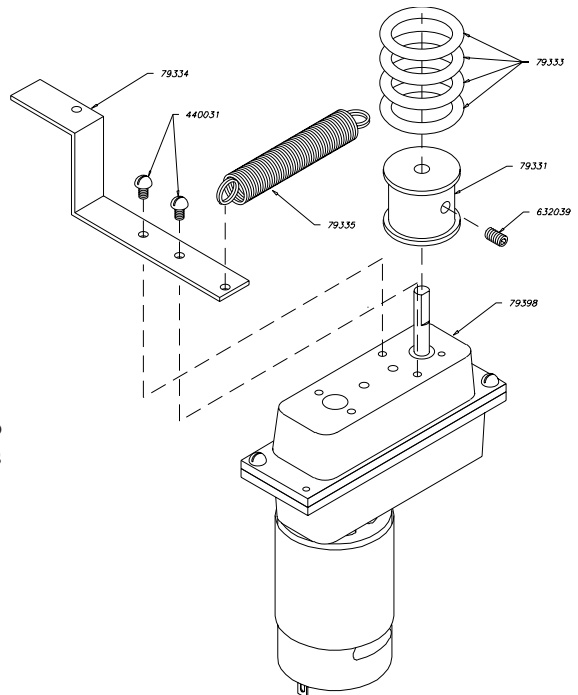
TURNTABLES

Girders for side of bridge



Motorizing unit makes the turntable rotate

A momentary contact switch in the circuit will help to move the turntable bridge into exact position. The motor unit is very sensitive, so only a small burst of power is needed to move the bridge a small amount.



TURNTABLES

Deck Detail Kit parts drawings

